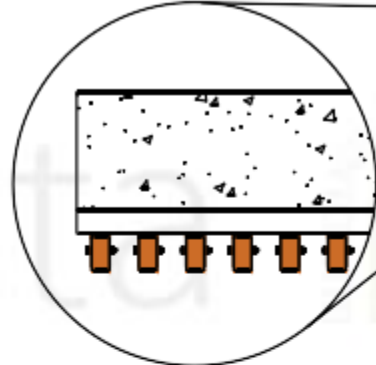


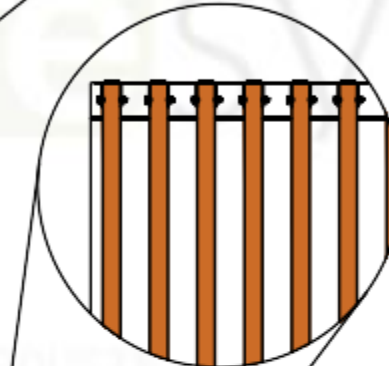
DETAIL-1.0



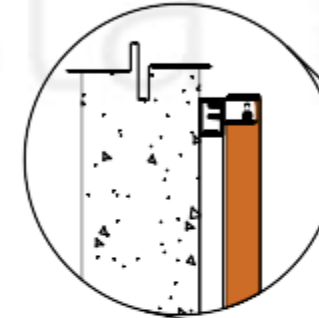
DETAIL-3.0



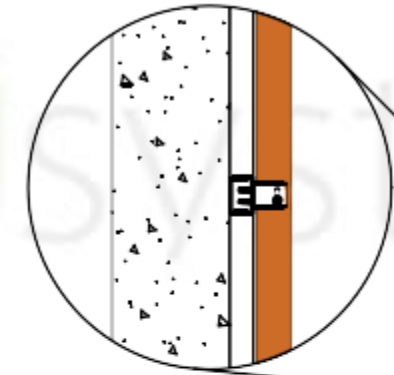
TOP VIEW



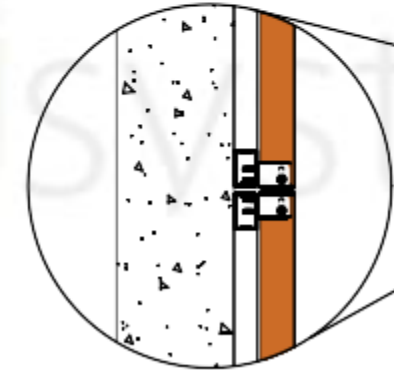
DETAIL-4.0



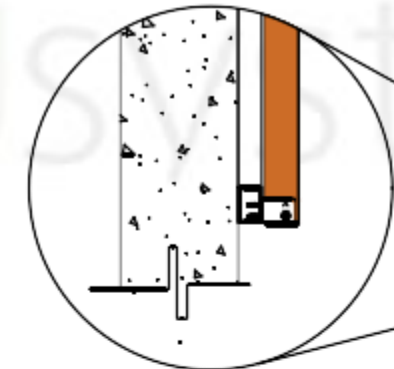
DETAIL-5.0



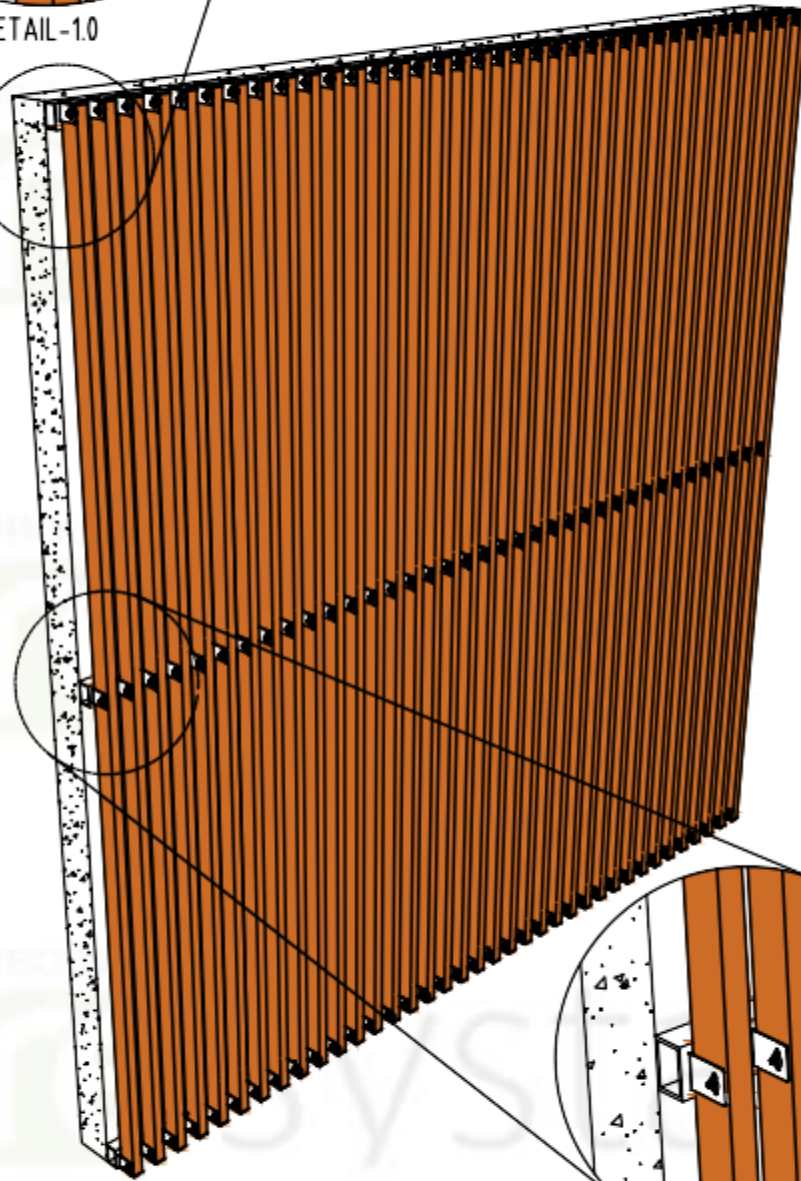
DETAIL-6.0



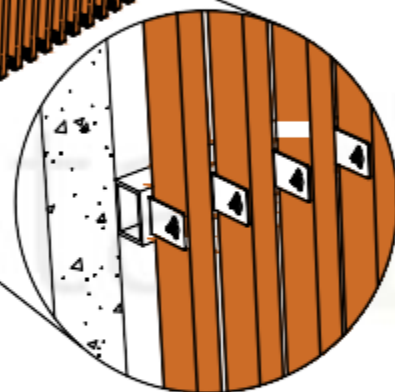
DETAIL-7.0



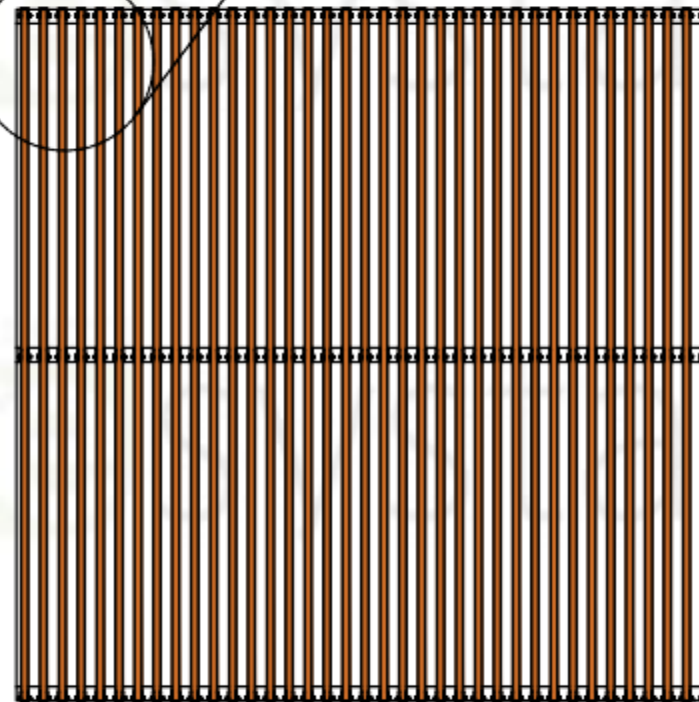
DETAIL-8.0



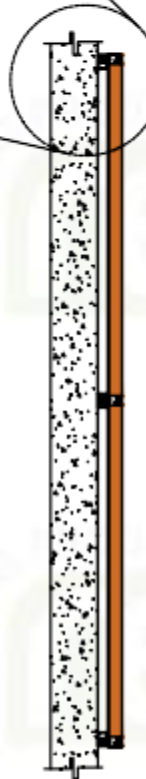
PERSPECTIVE



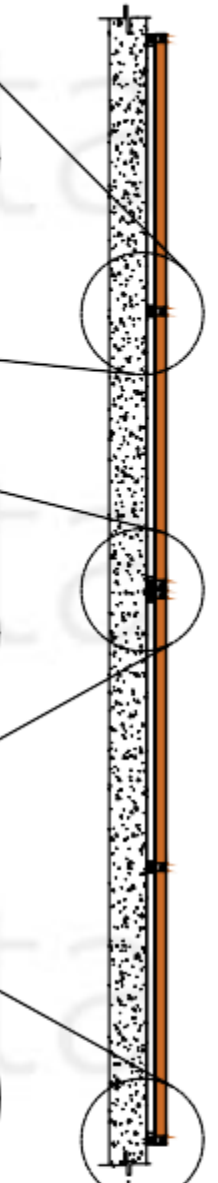
DETAIL-2.0



FRONT ELEVATION



SIDE ELEVATION



MULTI-BOARD
SIDE ELEVATION

2
2AL VCUB

2CH AL VERTICAL CLADDING U-BRACKET

RESYSTA PROFILE WITH ALUMINUM INSERT (FPI 7038/3.5)

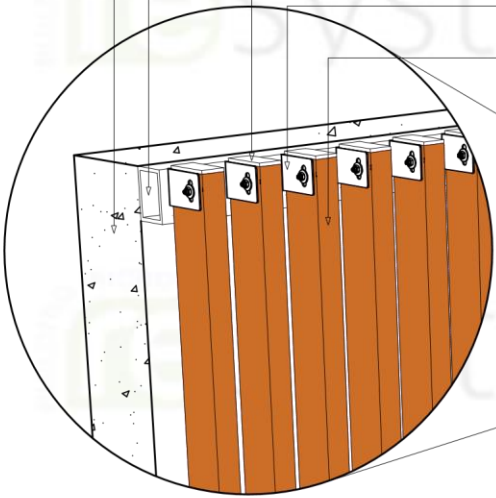


NOTE

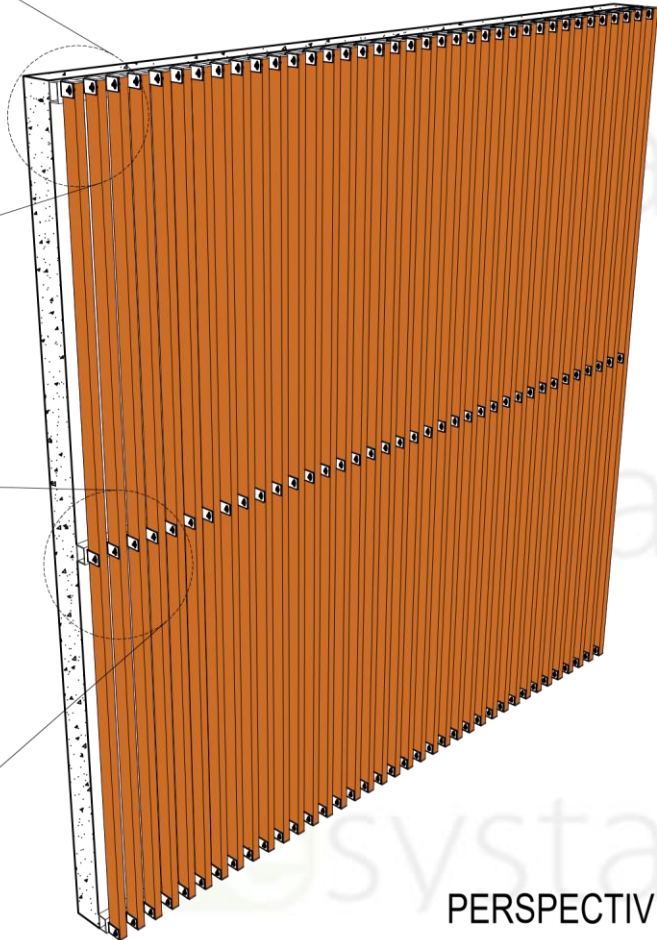
THIS DRAWING AS AN INSTRUMENT OF SERVICE, IS THE PROPERTY OF RESYSTA AND AS SUCH MUST NOT BE REPRODUCED OR COPIED IN PART OR IN WHOLE WITHOUT THE PERMISSION OF THE AUTHOR.

TITLE	SPECIFICATION	SHEET CONTENT	SHEET SIZE	DRAWING NO.	CONTINENT
2CH AL - U Bracket VERTICAL CLADDING DETAIL	TYPICAL DRAWING DETAIL	PERSPECTIVE	A3	2AL-VCUB-2.1	RESYSTA ASIA
		TOP VIEW			
		FRONT ELEVATION			
		SIDE ELEVATION	DATE	REVISION	
		MULTI-BOARD SIDE ELEVATION	27.02.23	0	
CAD BY:	CHECKED BY:				
C.R.E					

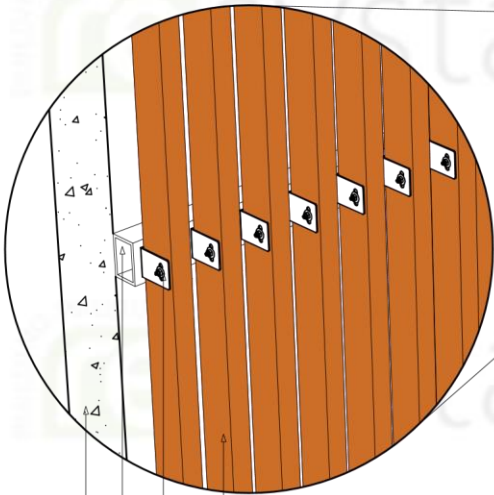
- EXISTING WALL
- SUBSTRUCTURE BY OTHERS
- Hollow Cap
- U/B 7038 Aluminum U-Bracket with Bolt, washer and nut
- FPI 7038/3.5 Cladding 2 Channels Thick Al



DETAIL - 1.0
END PART



PERSPECTIVE



DETAIL - 2.0
MIDDLE PART

- FPI 7038/3.5 Cladding 2 Channels Thick Al
- U/B 7038 Aluminum U-Bracket with Bolt, washer and nut
- SUBSTRUCTURE BY OTHERS
- EXISTING WALL

SUB-DETAIL
2AL VCUB 2.2

N.T.S

DIMENSION LEGEND

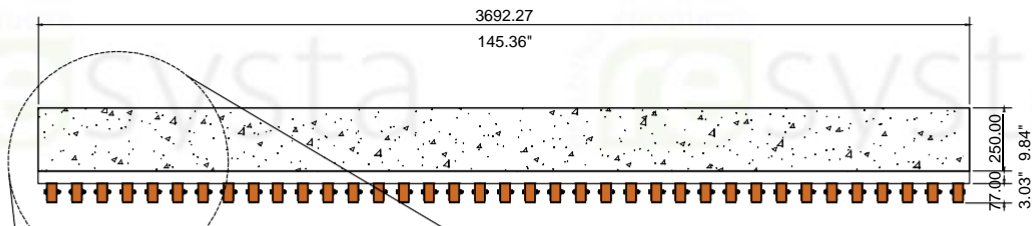
Millimeter (mm)
Inches (") / Foot (')



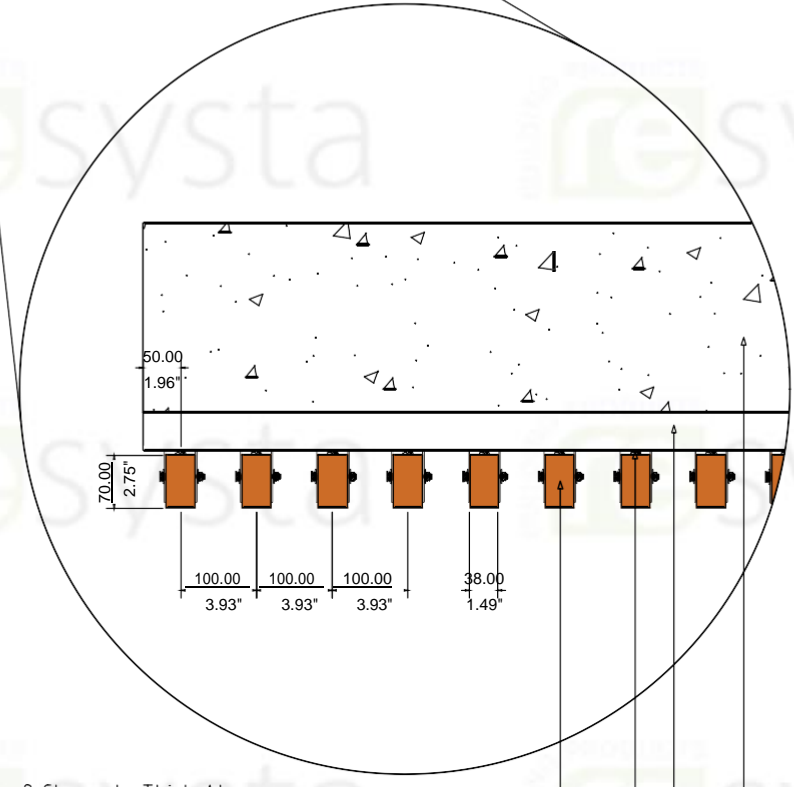
NOTE

THIS DRAWING AS AN INSTRUMENT OF SERVICE, IS THE PROPERTY OF RESYSTA AND AS SUCH MUST NOT BE REPRODUCED OR COPIED IN PART OR IN WHOLE WITHOUT THE PERMISSION OF THE AUTHOR.

TITLE	SHEET CONTENT	CONTINENT
2CH AL - U BRACKET VERTICAL CLADDING SUB-DETAIL	PERSPECTIVE	RESYSTA ASIA
	DETAIL -1.0	
	DETAIL -2.0	
SPECIFICATION	TYPICAL DRAWING DETAIL	
	DRAWING NO. 2AL-VCUB-2.2	DATE 27.02.23
	CAD BY: C.R.E	CHECKED BY:



TOP VIEW



FPI 7038/3.5 Cladding 2 Channels Thick Al

U/B 7038 Aluminum U-Bracket
with Bolt, washer and nut

SUBSTRUCTURE BY OTHERS

EXISTING WALL

DETAIL - 3.0

SUB-DETAIL

2AL VCUB 2.3

N.T.S

DIMENSION LEGEND

Millimeter (mm)
Inches (") / Foot (')



NOTE

THIS DRAWING AS AN INSTRUMENT OF SERVICE, IS THE PROPERTY OF RESYSTA AND AS SUCH MUST NOT BE REPRODUCED OR COPIED IN PART OR IN WHOLE WITHOUT THE PERMISSION OF THE AUTHOR.

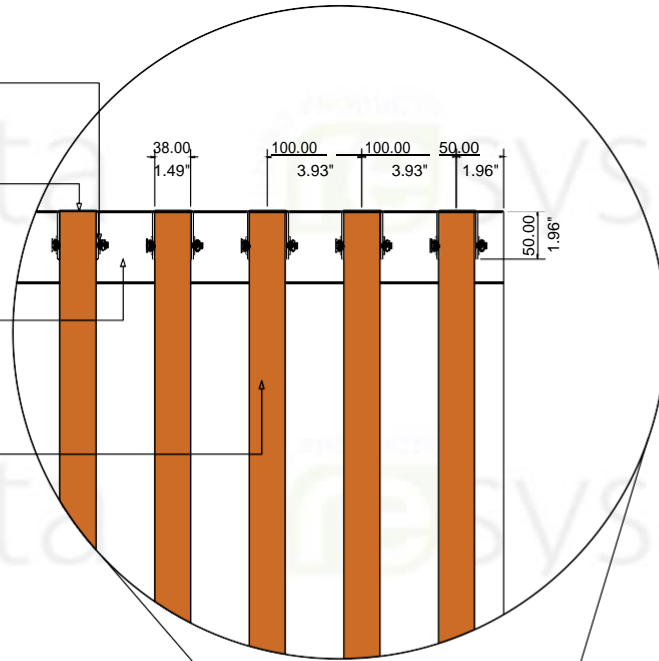
TITLE	SHEET CONTENT	CONTINENT
2LH AL - U BRACKET VERTICAL CLADDING SUB-DETAIL	TOP VIEW	RESYSTA ASIA
	DETAIL -3.0	
SPECIFICATION	DRAWING NO.	DATE
TYPICAL DRAWING DETAIL	2AL-VCUB-2.3	27.02.23
	CAD BY: C.R.E	CHECKED BY:

U/B 7038 Aluminum U-Bracket
with Bolt, washer and nut

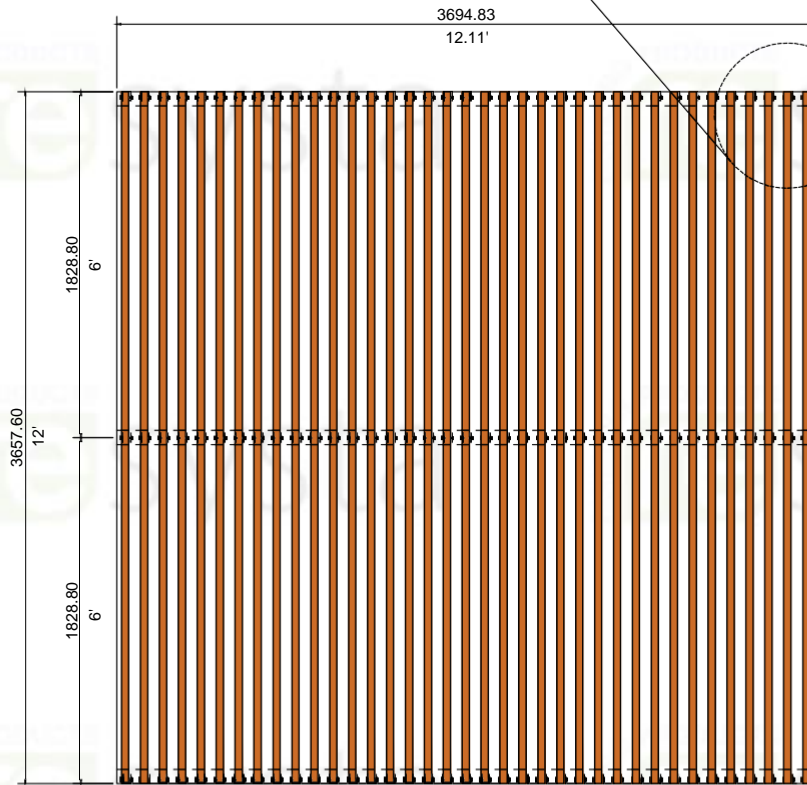
Hollow Cap

SUBSTRUCTURE BY OTHERS

FPI 7038/3.5 Cladding 2
Channels Thick Al



DETAIL - 4.0



FRONT ELEVATION

SUB-DETAIL
2AL VCUB 2.4

N.T.S

DIMENSION LEGEND

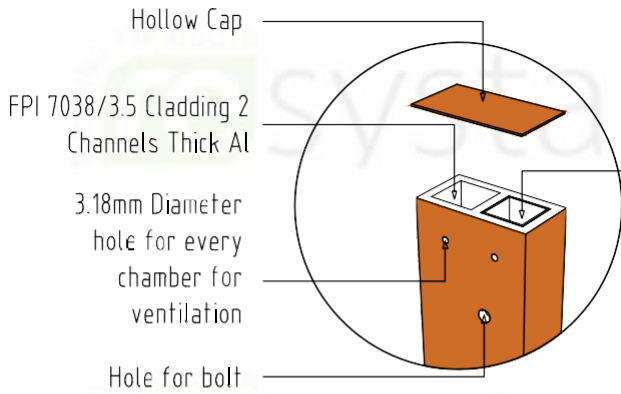
Millimeter (mm)
Inches (") / Foot (')



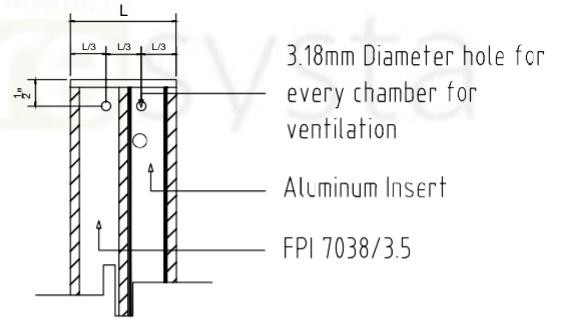
NOTE

THIS DRAWING AS AN INSTRUMENT OF SERVICE, IS THE PROPERTY OF RESYSTA AND AS SUCH MUST NOT BE REPRODUCED OR COPIED IN PART OR IN WHOLE WITHOUT THE PERMISSION OF THE AUTHOR.

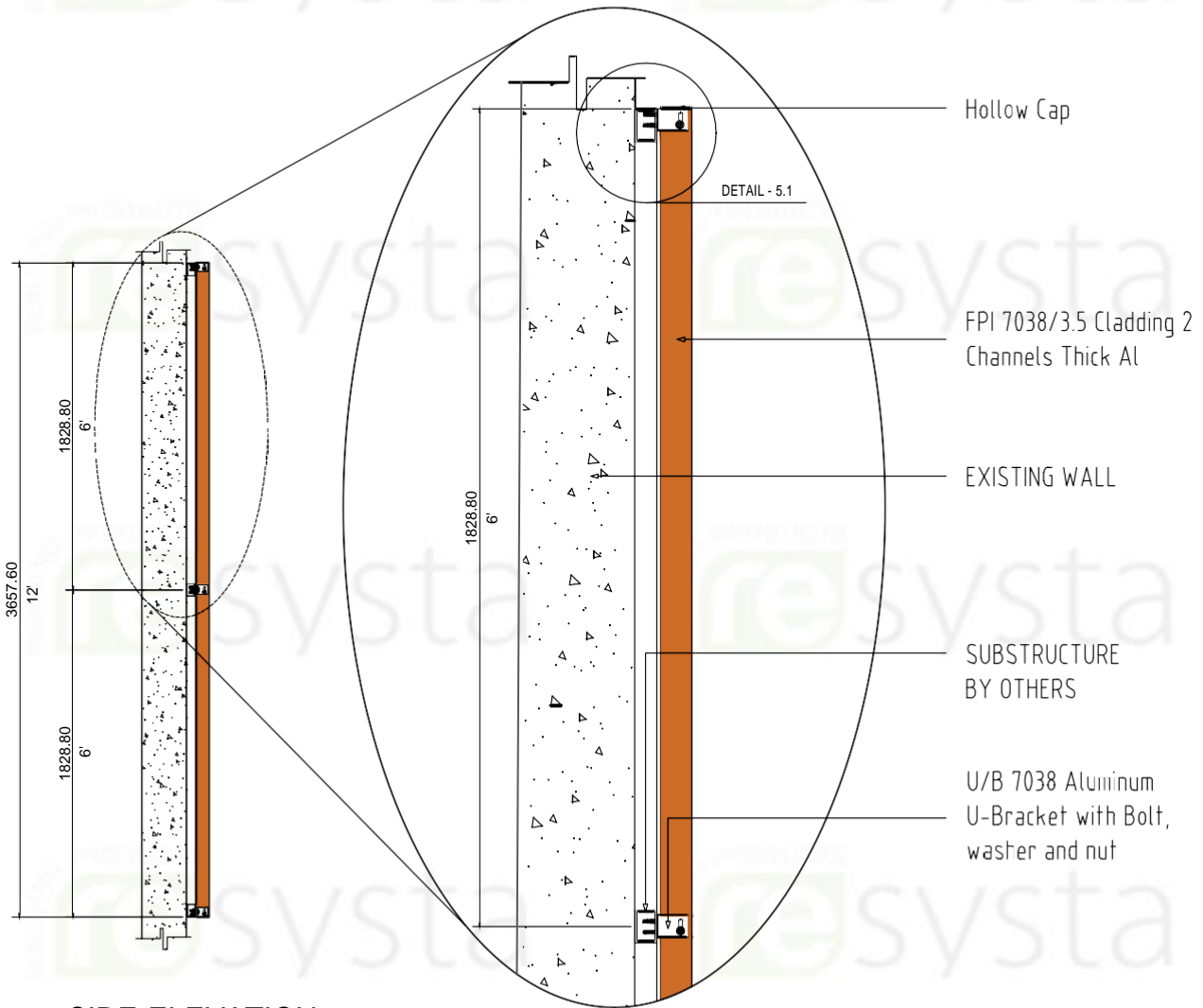
TITLE	SHEET CONTENT	CONTINENT
2AL AL - U BRACKET VERTICAL CLADDING SUB-DETAIL	FRONT ELEVATION	RESYSTA ASIA
	DETAIL - 4.0	
SPECIFICATION	DRAWING NO.	DATE
TYPICAL DRAWING DETAIL	2AL-VCUB-2.4	27.02.23
	CAD BY: C.R.E	CHECKED BY:



DETAIL - 5.1



SECTION



SIDE ELEVATION

DETAIL - 5.0

SUB-DETAIL

2AL VCUB 2.5

N.T.S

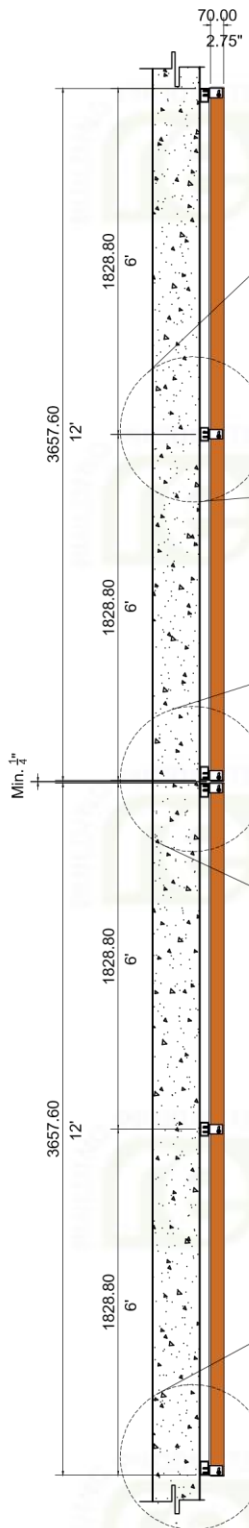
DIMENSION LEGEND	
Millimeter (mm)	
Inches (") / Foot (')	



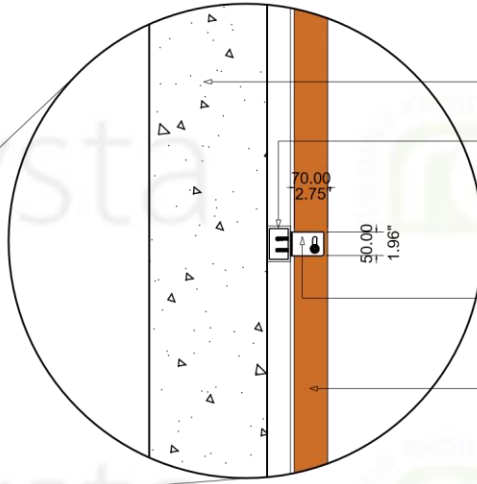
NOTE

THIS DRAWING AS AN INSTRUMENT OF SERVICE, IS THE PROPERTY OF RESYSTA AND AS SUCH MUST NOT BE REPRODUCED OR COPIED IN PART OR IN WHOLE WITHOUT THE PERMISSION OF THE AUTHOR.

TITLE	SHEET CONTENT	CONTINENT
2LH AL - U BRACKET VERTICAL CLADDING SUB-DETAIL	SIDE ELEVATION	RESYSTA ASIA
	DETAIL-5.0	
	DETAIL-5.1	
SPECIFICATION	SECTION	DATE
TYPICAL DRAWING DETAIL	DRAWING NO.	27.02.23
	CAD BY:	CHECKED BY:
	C.R.E	

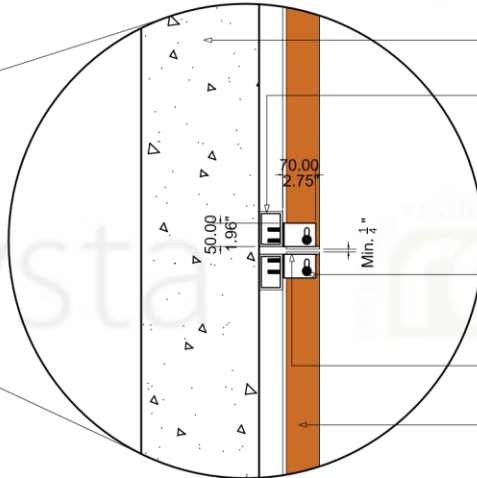


MULTI-BOARD
SIDE ELEVATION



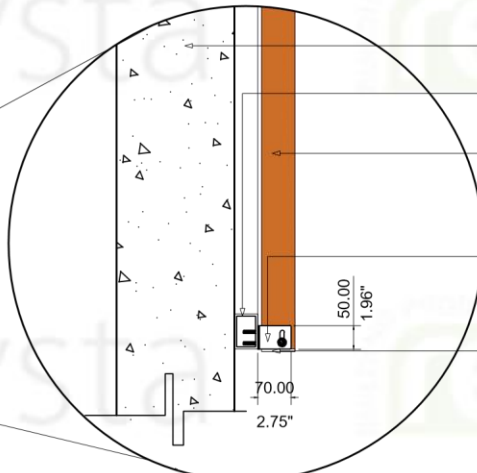
DETAIL - 6.0

- EXISTING WALL
- SUBSTRUCTURE BY OTHERS
- U/B 7038 Aluminum U-Bracket with Bolt, washer and nut
- FPI 7038/3.5 Cladding 2 Channels Thick Al



DETAIL - 7.0

- EXISTING WALL
- SUBSTRUCTURE BY OTHERS
- U/B 7038 Aluminum U-Bracket with Bolt, washer and nut
- FPI 7038/3.5 Cladding 2 Channels Thick Al



DETAIL - 8.0

- EXISTING WALL
- SUBSTRUCTURE BY OTHERS
- FPI 7038/3.5 Cladding 2 Channels Thick Al
- U/B 7038 Aluminum U-Bracket with Bolt, washer and nut
- Hollow Cap

SUB-DETAIL
2AL VCUB 2.6

N.T.S

DIMENSION LEGEND	
-----	Millimeter (mm)
-----	Inches (") / Foot (')



NOTE
THIS DRAWING AS AN INSTRUMENT OF SERVICE, IS THE PROPERTY OF RESYSTA AND AS SUCH MUST NOT BE REPRODUCED OR COPIED IN PART OR IN WHOLE WITHOUT THE PERMISSION OF THE AUTHOR.

TITLE	SHEET CONTENT	CONTINENT
2CH AL - U BRACKET VERTICAL CLADDING SUB-DETAIL	MULTI-BRD SIDE ELEV.	RESYSTA ASIA
	DETAIL-6.0	
	DETAIL-7.0	
SPECIFICATION	DRAWING NO.	DATE
TYPICAL DRAWING DETAIL	2AL-VCUB-2.6	27.02.23
	CAD BY: C.R.E	CHECKED BY: