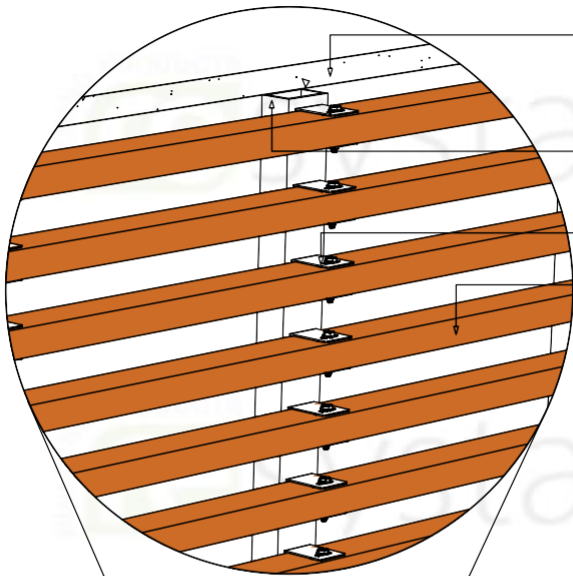


1 4CH HORIZONTAL CLADDING U-BRACKET
 4HCUB RESYSTA PROFILE WITHOUT ALUMINUM INSERT (FPH 14038 N)

	<p>NOTE</p> <p>THIS DRAWING AS AN INSTRUMENT OF SERVICE, IS THE PROPERTY OF RESYSTA AND AS SUCH MUST NOT BE REPRODUCED OR COPIED IN PART OR IN WHOLE WITHOUT THE PERMISSION OF THE AUTHOR.</p>	TITLE	SPECIFICATION	SHEET CONTENT	SHEET SIZE	DRAWING NO.	CONTINENT
		<p>4CH - U Bracket HORIZONTAL CLADDING DETAIL</p>	<p>TYPICAL DRAWING DETAIL</p>	PERSPECTIVE	A3	4HCUB-1.1	RESYSTA ASIA
				TOP VIEW			
				FRONT ELEVATION	DATE	REVISION	
				SIDE ELEVATION	27.02.23	0	
MULTI-BOARD SIDE ELEVATION							
		CAD BY: C.R.E	CHECKED BY:				



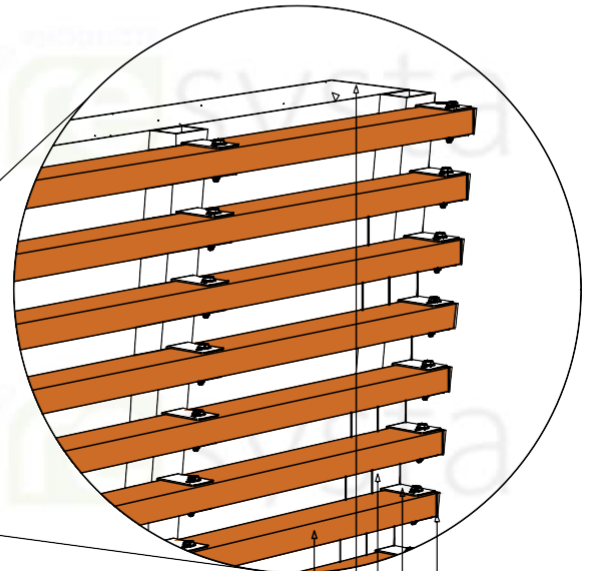
DETAIL - 2.0
MIDDLE PART

EXISTING WALL

SUBSTRUCTURE BY OTHERS

U/B 7038 Aluminum U-Bracket with Bolt, washer and nut

FPH 7038/3.5 Cladding 2 Channels Thick



DETAIL - 1.0
END PART

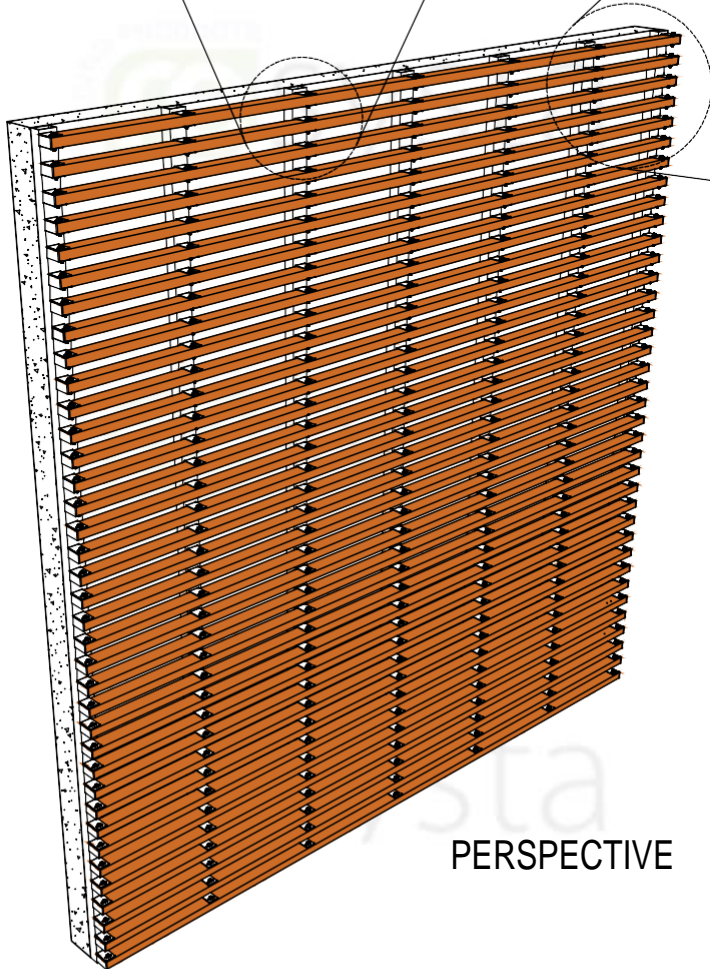
FPH 7038/3.5 Cladding 2 Channels Thick

EXISTING WALL

SUBSTRUCTURE BY OTHERS

U/B 7038 Aluminum U-Bracket with Bolt, washer and nut

Hollow Cap



PERSPECTIVE

SUB-DETAIL
2HCUB 1.2

N.T.S

DIMENSION LEGEND

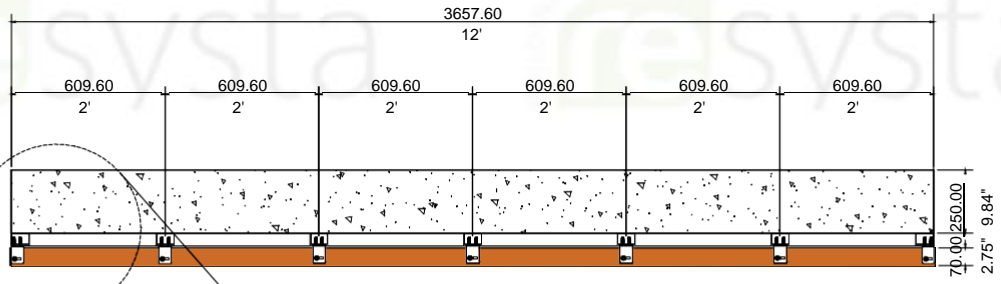
Millimeter (mm)
Inches (") / Foot (')



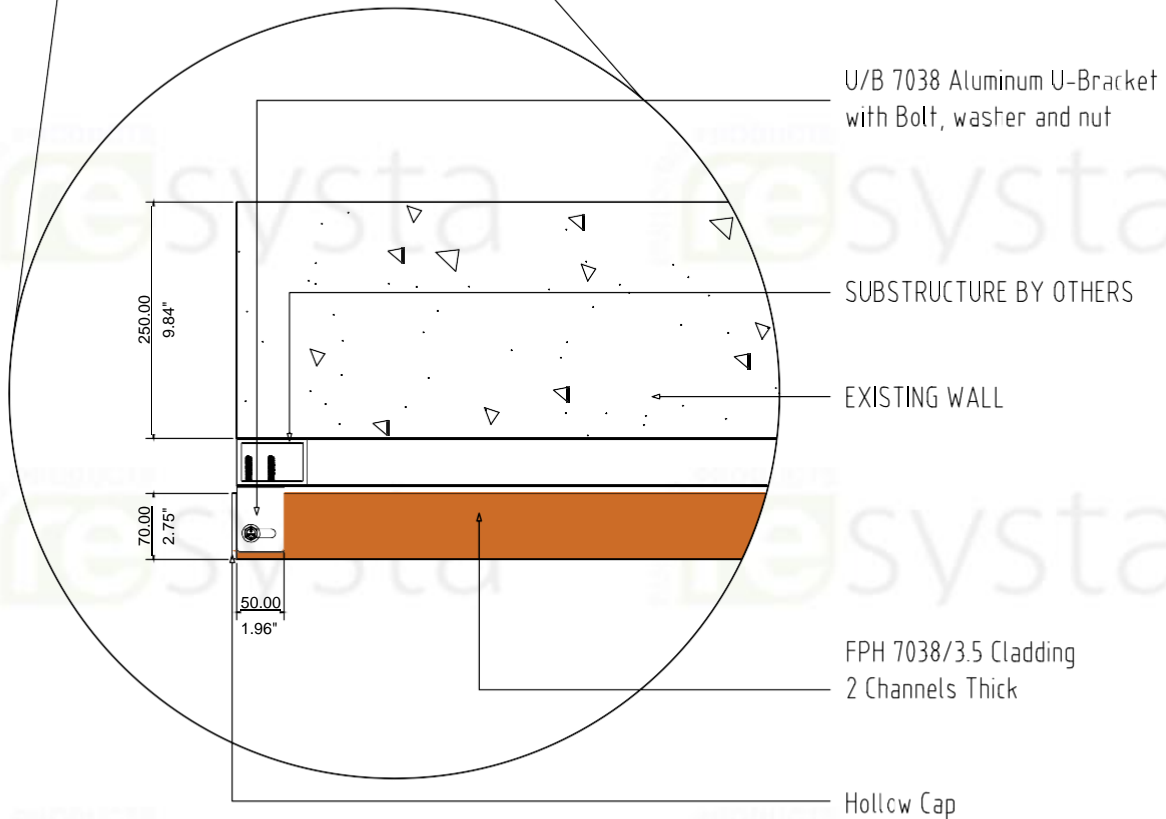
NOTE

THIS DRAWING AS AN INSTRUMENT OF SERVICE, IS THE PROPERTY OF RESYSTA AND AS SUCH MUST NOT BE REPRODUCED OR COPIED IN PART OR IN WHOLE WITHOUT THE PERMISSION OF THE AUTHOR.

TITLE	SHEET CONTENT	CONTINENT
2CH - U BRACKET HORIZONTAL CLADDING SUB-DETAIL	PERSPECTIVE	RESYSTA ASIA
	DETAIL -1.0	
	DETAIL -2.0	
SPECIFICATION	DRAWING NO.	DATE
TYPICAL DRAWING DETAIL	2HCUB-1.2	27.02.23
	CAD BY:	CHECKED BY:
	C.R.E	



TOP VIEW



DETAIL - 3.0

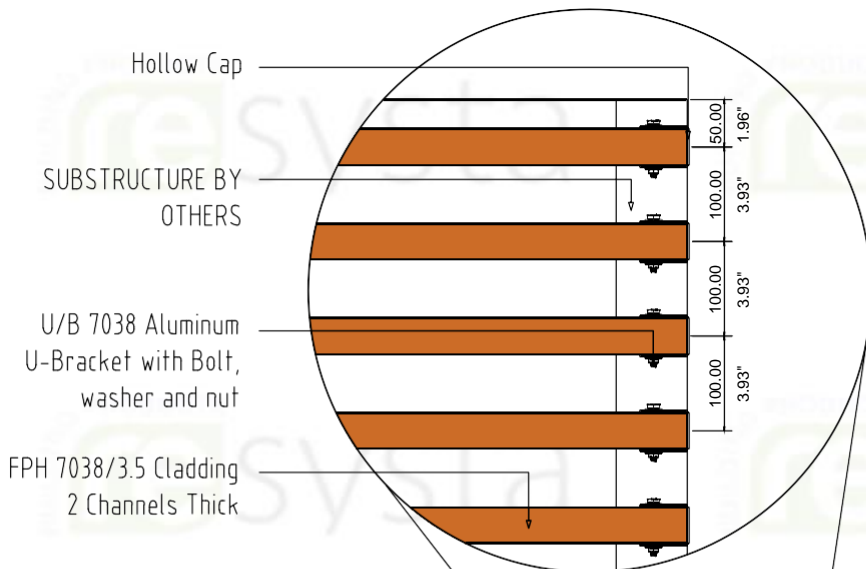
SUB-DETAIL
2HCUB 1.3
N.T.S

DIMENSION LEGEND	
Millimeter (mm)	
Inches (") / Foot (')	



NOTE
THIS DRAWING AS AN INSTRUMENT OF SERVICE, IS THE PROPERTY OF RESYSTA AND AS SUCH MUST NOT BE REPRODUCED OR COPIED IN PART OR IN WHOLE WITHOUT THE PERMISSION OF THE AUTHOR.

TITLE	SHEET CONTENT	CONTINENT
ZHC - U BRACKET HORIZONTAL CLADDING SUB-DETAIL	TOP VIEW	RESYSTA ASIA
	DETAIL -3.0	
SPECIFICATION	DRAWING NO.	DATE
TYPICAL DRAWING DETAIL	2HCUB-1.3	27.02.23
	CAD BY: C.R.E	CHECKED BY:

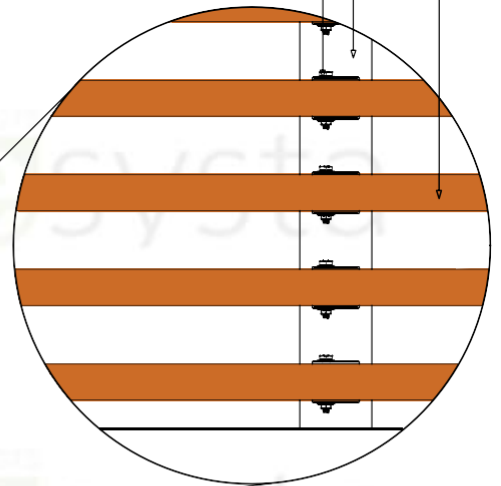


DETAIL - 4.0

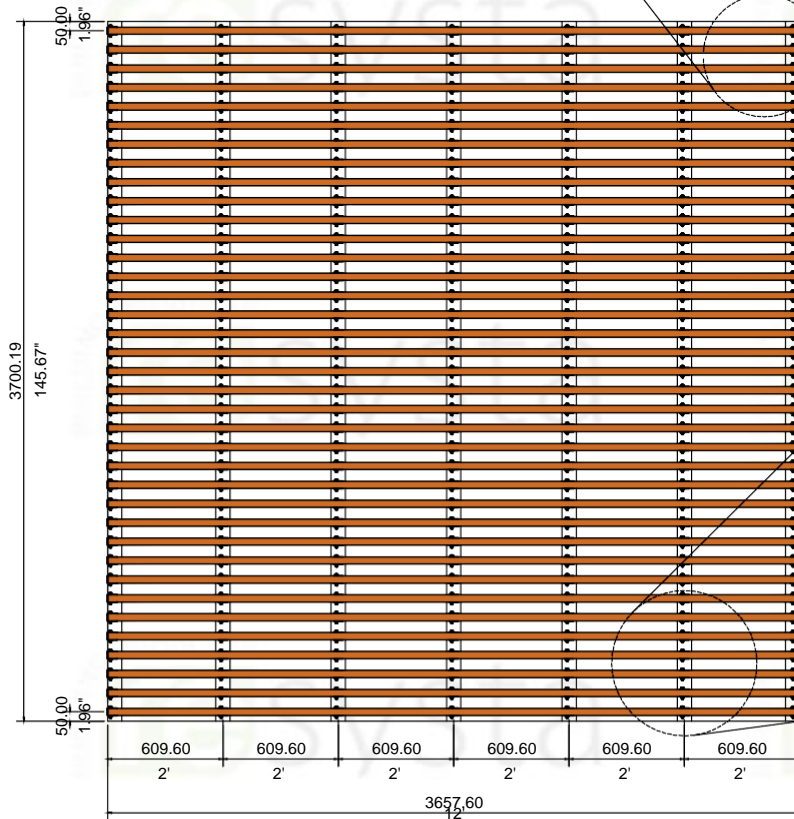
FPH 7038/3.5 Cladding
2 Channels Thick

SUBSTRUCTURE BY
OTHERS

U/B 7038 Aluminum
U-Bracket with Bolt,
washer and nut



DETAIL - 5.0



FRONT ELEVATION

SUB-DETAIL
2HCUB 1.4

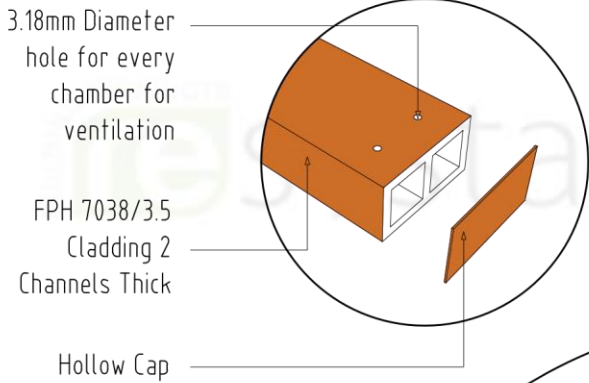
N.T.S

DIMENSION LEGEND	
Millimeter (mm)	
Inches (") / Foot (')	



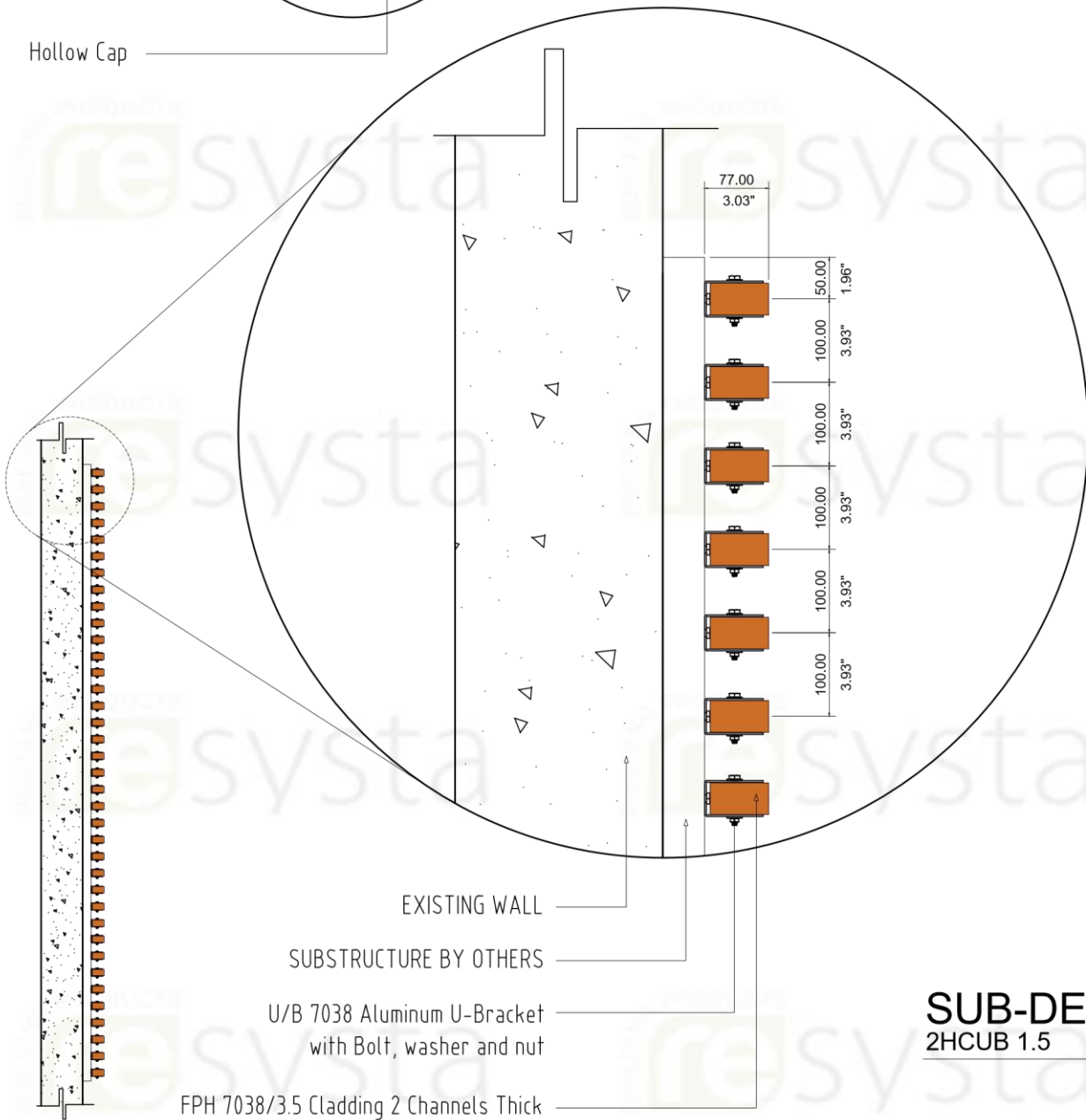
NOTE
THIS DRAWING AS AN INSTRUMENT OF SERVICE, IS THE PROPERTY OF RESYSTA AND AS SUCH MUST NOT BE REPRODUCED OR COPIED IN PART OR IN WHOLE WITHOUT THE PERMISSION OF THE AUTHOR.

TITLE	SHEET CONTENT	CONTINENT
2CH - U BRACKET HORIZONTAL CLADDING SUB-DETAIL	FRONT ELEVATION	RESYSTA ASIA
	DETAIL-4.0	
	DETAIL-5.0	
SPECIFICATION	DRAWING NO.	DATE
TYPICAL DRAWING DETAIL	2HCUB-14	27.02.23
	CAD BY:	CHECKED BY:
	C.R.E	



NOTE:

If applying veneer caps to both ends of the FPH 7038/3.5 you'll need to drill a 3.18mm minimum diameter hole in every chamber to allow for ventilation. The location of the holes will depend on the Clients discretion based on the actual project conditions.



SUB-DETAIL
2HCUB 1.5

N.T.S

SIDE ELEVATION

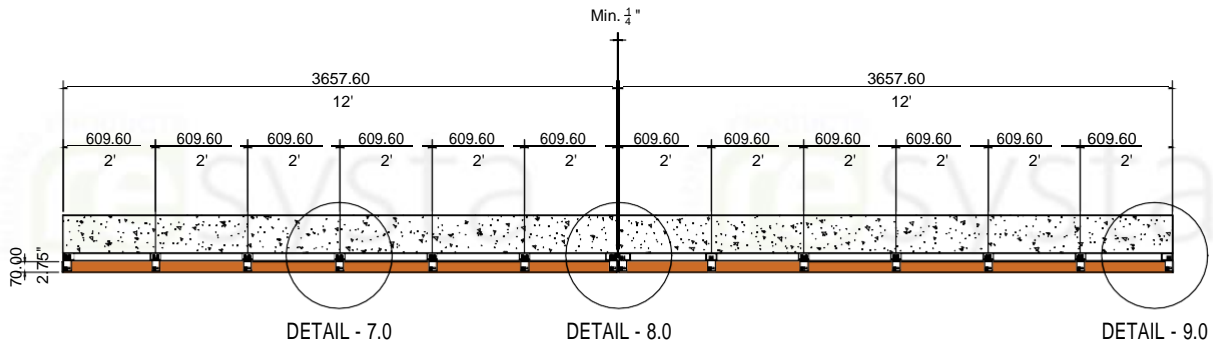
DETAIL - 6.0

DIMENSION LEGEND	
Millimeter (mm)	Inches (") / Foot (')

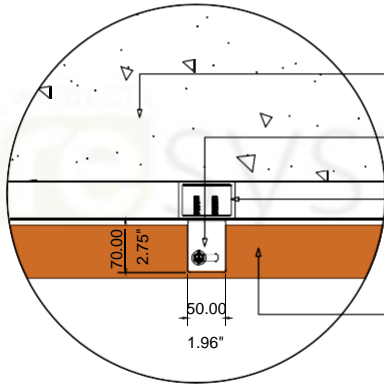


NOTE
THIS DRAWING AS AN INSTRUMENT OF SERVICE, IS THE PROPERTY OF RESYSTA AND AS SUCH MUST NOT BE REPRODUCED OR COPIED IN PART OR IN WHOLE WITHOUT THE PERMISSION OF THE AUTHOR.

TITLE	SHEET CONTENT	CONTINENT
2CH - U BRACKET HORIZONTAL CLADDING SUB-DETAIL	SIDE ELEVATION	RESYSTA ASIA
	DETAIL-6.0	
SPECIFICATION	DRAWING NO.	DATE
TYPICAL DRAWING DETAIL	2HCUB-15	27.02.23
	CAD BY:	CHECKED BY:
	C.R.E	

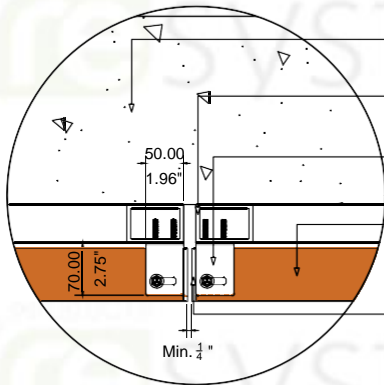


MULTI-BOARD TOP VIEW



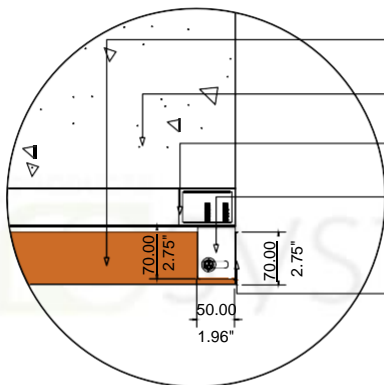
DETAIL - 7.0

- EXISTING WALL
- U/B 7038 Aluminum U-Bracket with Bolt, washer and nut
- SUBSTRUCTURE BY OTHERS
- FPH 7038/3.5 Cladding 2 Channels Thick



DETAIL - 8.0

- EXISTING WALL
- SUBSTRUCTURE BY OTHERS
- U/B 7038 Aluminum U-Bracket with Bolt, washer and nut
- FPH 7038/3.5 Cladding 2 Channels Thick
- Hollow Cap



DETAIL - 9.0

- FPH 7038/3.5 Cladding 2 Channels Thick
- EXISTING WALL
- SUBSTRUCTURE BY OTHERS
- U/B 7038 Aluminum U-Bracket with Bolt, washer and nut
- Hollow Cap

SUB-DETAIL
2HCUB 1.6

N.T.S

DIMENSION LEGEND	
Millimeter (mm)	Inches (") / Foot (')



NOTE

THIS DRAWING AS AN INSTRUMENT OF SERVICE, IS THE PROPERTY OF RESYSTA AND AS SUCH MUST NOT BE REPRODUCED OR COPIED IN PART OR IN WHOLE WITHOUT THE PERMISSION OF THE AUTHOR.

TITLE	SHEET CONTENT	CONTINENT
2CH - U BRACKET HORIZONTAL CLADDING SUB-DETAIL	MULTI-BRD TOP VIEW	RESYSTA ASIA
	DETAIL-7.0	
	DETAIL-8.0	
SPECIFICATION	DETAIL-9.0	DATE
	DRAWING NO.	27.02.23
	2HCUB-1.6	CHECKED BY:
TYPICAL DRAWING DETAIL	CAD BY:	
	C.R.E	