

2  
4AL VCUB

**4CH AL VERTICAL CLADDING U-BRACKET**

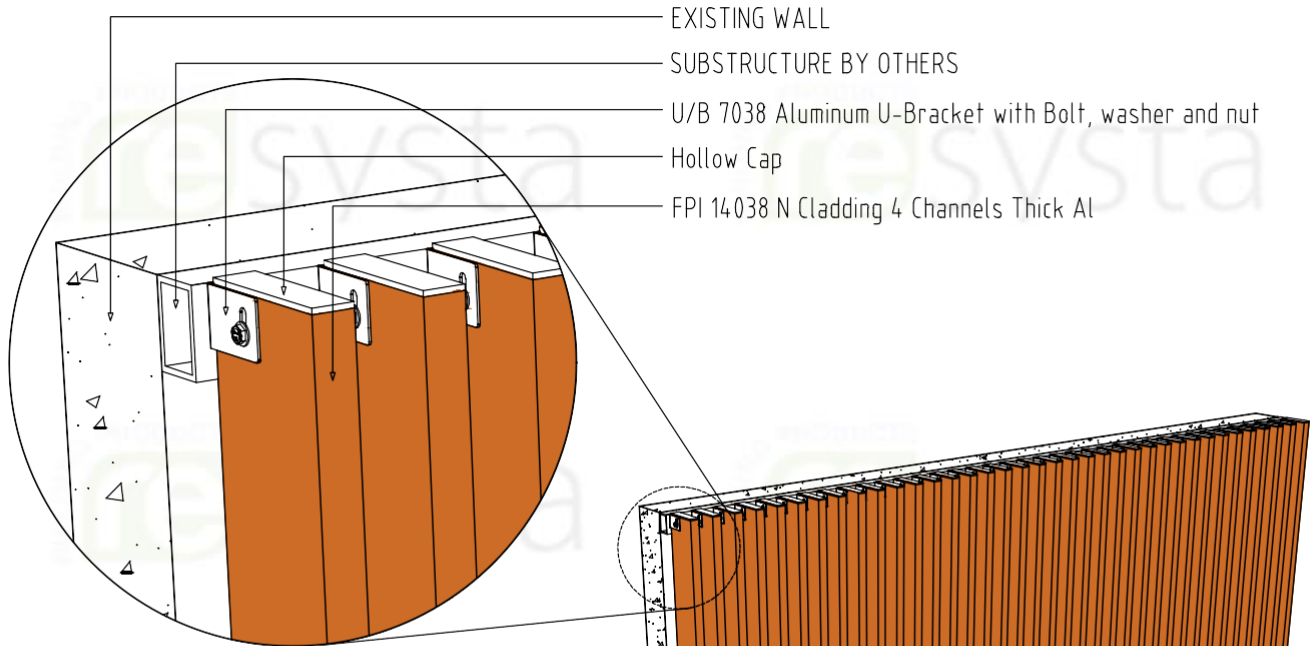
RESYSTA PROFILE WITH ALUMINUM INSERT (FPI 14038 N)



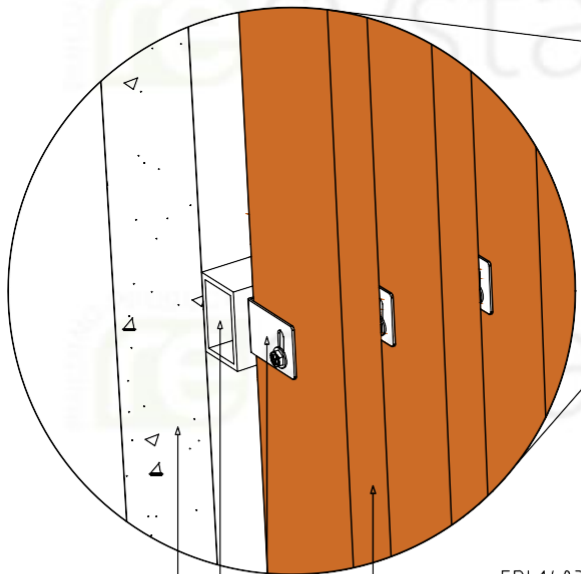
**NOTE**  
THIS DRAWING AS AN INSTRUMENT OF SERVICE, IS THE PROPERTY OF RESYSTA AND AS SUCH MUST NOT BE REPRODUCED OR COPIED IN PART OR IN WHOLE WITHOUT THE PERMISSION OF THE AUTHOR.

TITLE	SPECIFICATION	SHEET CONTENT	SHEET SIZE	DRAWING NO.	CONTINENT
4CH AL - U Bracket VERTICAL CLADDING DETAIL	TYPICAL DRAWING DETAIL	PERSPECTIVE	A3	4AL-VCUB-2.1	RESYSTA ASIA
		TOP VIEW			
		FRONT ELEVATION			
		SIDE ELEVATION	DATE	REVISION	
		MULTI-BOARD SIDE ELEVATION	27.02.23	0	

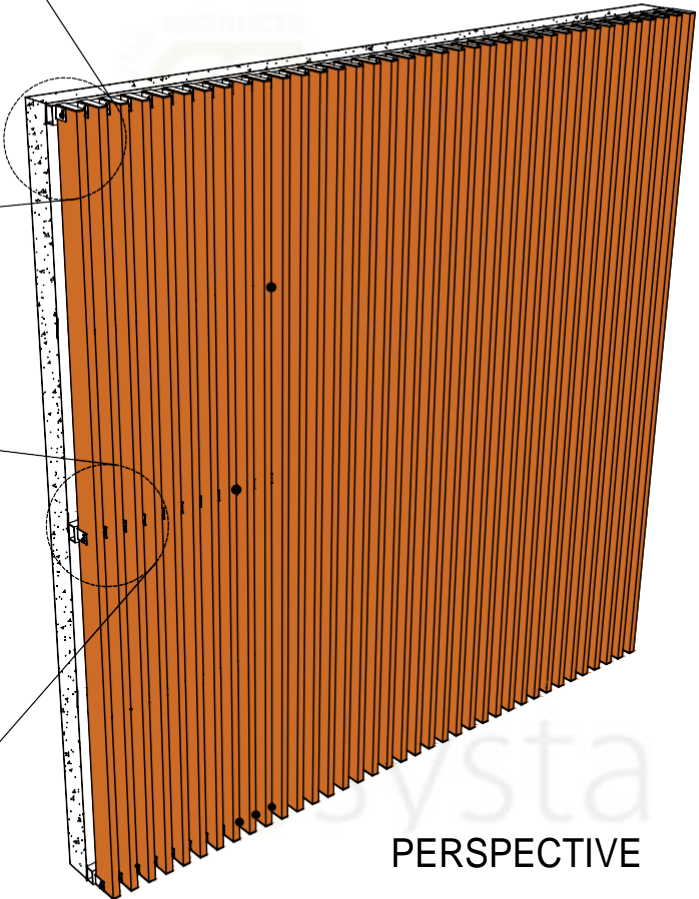
CAD BY:	CHECKED BY:
C.R.E	



**DETAIL - 1.0**  
END PART



**DETAIL - 2.0**  
MIDDLE PART



**PERSPECTIVE**

**SUB-DETAIL**  
**4AL - VCUB 2.2**

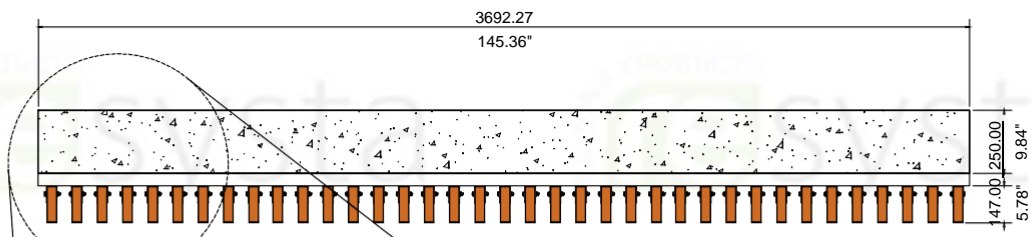
N.T.S

DIMENSION LEGEND	
Millimeter (mm)	
Inches (") / Foot (')	

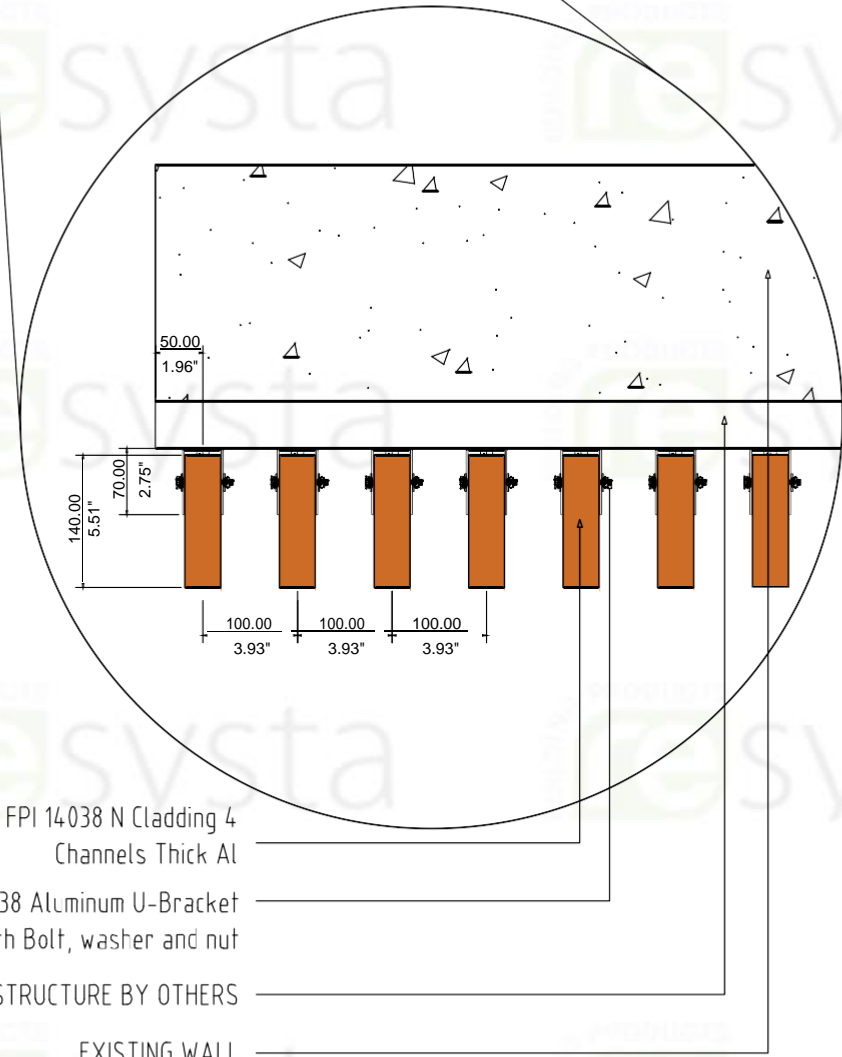


**NOTE**  
THIS DRAWING AS AN INSTRUMENT OF SERVICE, IS THE PROPERTY OF RESYSTA AND AS SUCH MUST NOT BE REPRODUCED OR COPIED IN PART OR IN WHOLE WITHOUT THE PERMISSION OF THE AUTHOR.

TITLE	SHEET CONTENT	CONTINENT
4CH AL - U BRACKET VERTICAL CLADDING SUB-DETAIL	PERSPECTIVE	RESYSTA ASIA
	DETAIL -1.0	
	DETAIL -2.0	
SPECIFICATION	DRAWING NO.	DATE
TYPICAL DRAWING DETAIL	4AL-VCUB-2.2	27.02.23
	CAD BY:	CHECKED BY:
	C.R.E	



TOP VIEW



- FPI 14038 N Cladding 4
- Channels Thick Al
- U/B 7038 Aluminum U-Bracket with Bolt, washer and nut
- SUBSTRUCTURE BY OTHERS
- EXISTING WALL

DETAIL - 3.0

**SUB-DETAIL**

4AL - VCUB 2.3

N.T.S

DIMENSION LEGEND	
	Millimeter (mm)
	Inches (") / Foot (')



**NOTE**  
 THIS DRAWING AS AN INSTRUMENT OF SERVICE, IS THE PROPERTY OF RESYSTA AND AS SUCH MUST NOT BE REPRODUCED OR COPIED IN PART OR IN WHOLE WITHOUT THE PERMISSION OF THE AUTHOR.

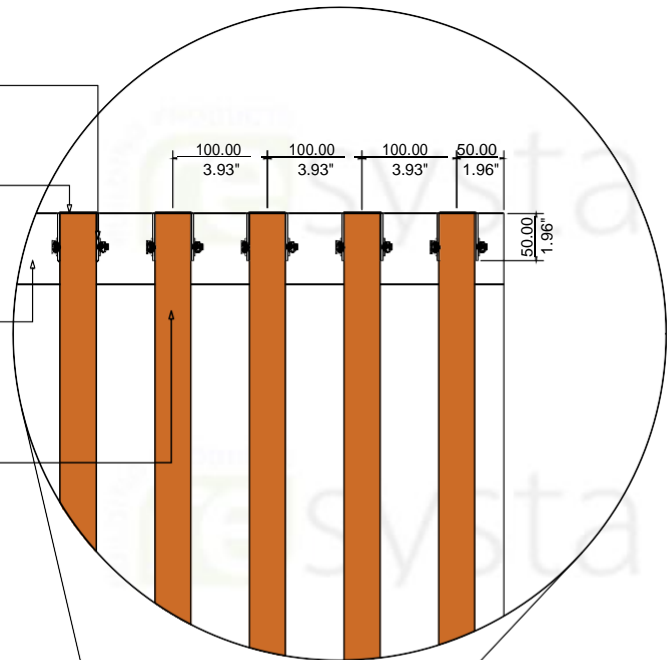
TITLE	SHEET CONTENT	CONTINENT
4LH AL - U BRACKET VERTICAL CLADDING SUB-DETAIL	TOP VIEW	RESYSTA <b>ASIA</b>
	DETAIL -3.0	
TYPICAL DRAWING DETAIL	DRAWING NO.	DATE
	4AL-VCUB-2.3	27.02.23
	CAD BY: C.R.E	CHECKED BY:

U/B 7038 Aluminum U-Bracket  
with Bolt, washer and nut

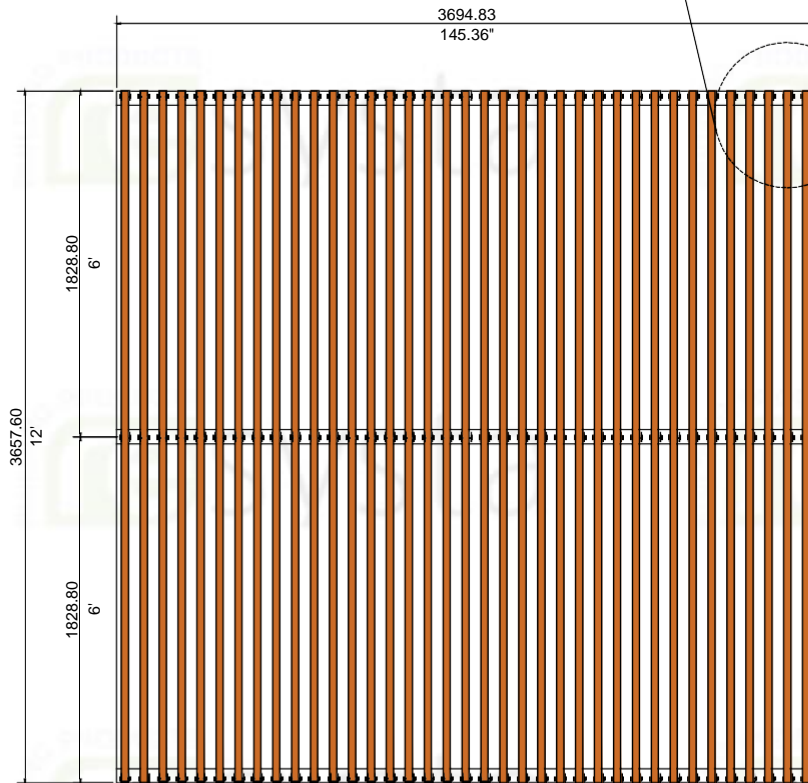
Hollow Cap

SUBSTRUCTURE BY OTHERS

FPI 14038 N Cladding 4  
Channels Thick Al



DETAIL - 4.0



FRONT ELEVATION

**SUB-DETAIL**

4AL - VCUB 2.4

N.T.S

DIMENSION LEGEND

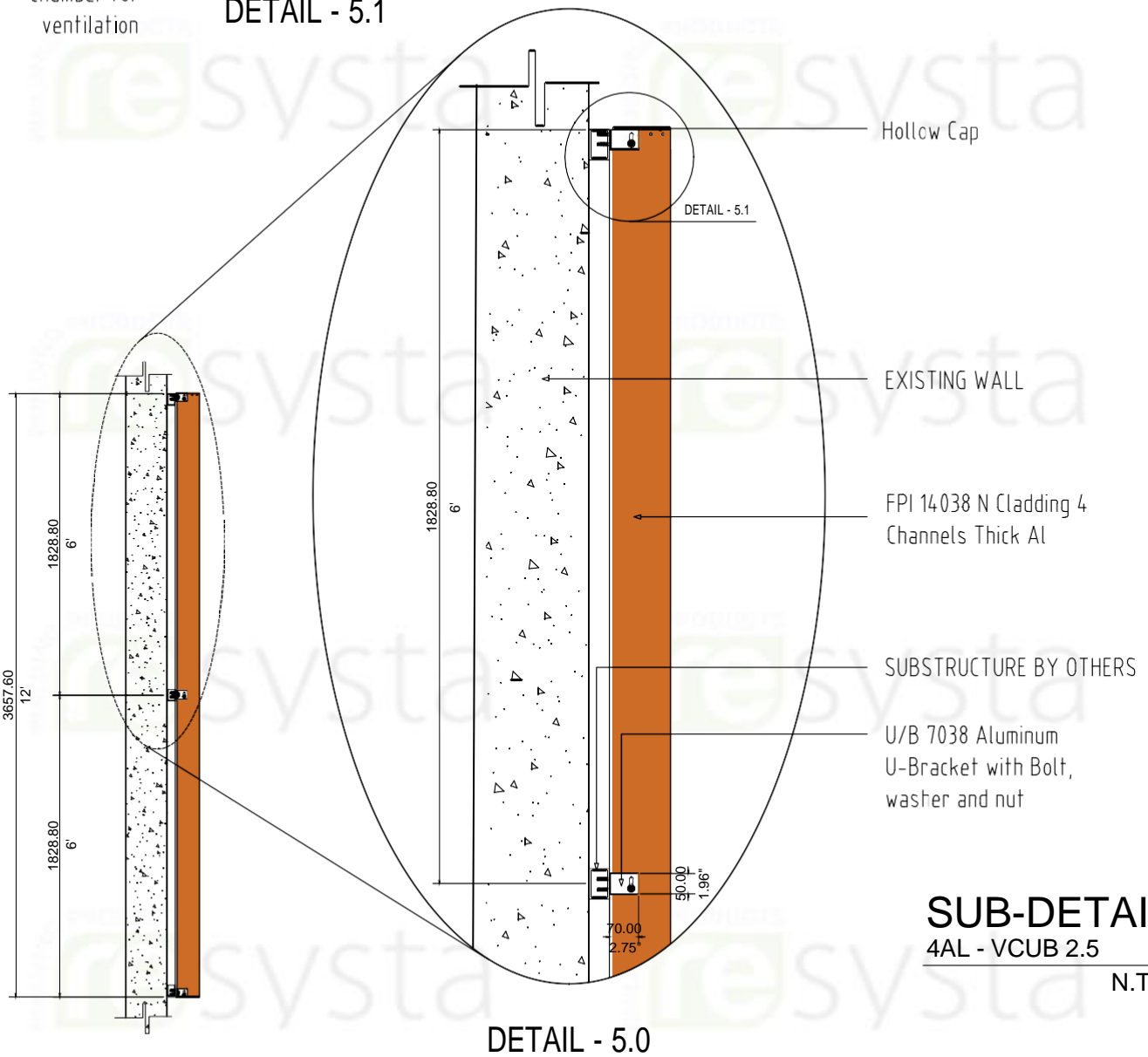
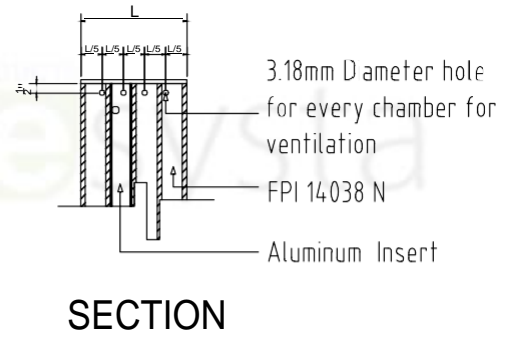
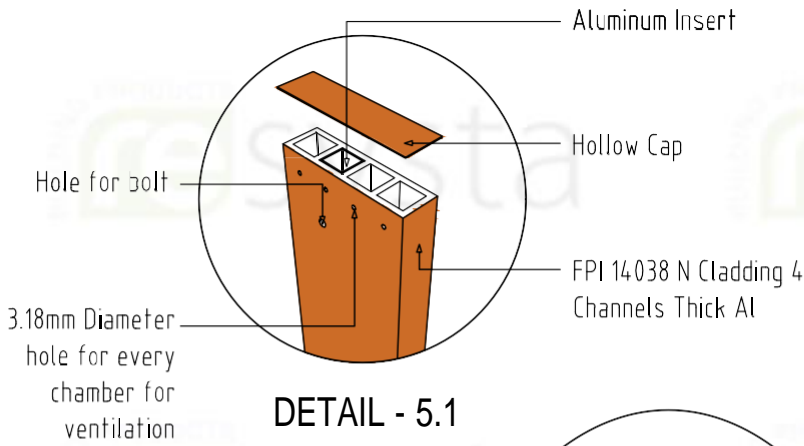
Millimeter (mm)
Inches (") / Foot (')



**NOTE**

THIS DRAWING AS AN INSTRUMENT OF SERVICE, IS THE PROPERTY OF RESYSTA AND AS SUCH MUST NOT BE REPRODUCED OR COPIED IN PART OR IN WHOLE WITHOUT THE PERMISSION OF THE AUTHOR.

TITLE	SHEET CONTENT	CONTINENT
4LH AL - U BRACKET VERTICAL CLADDING SUB-DETAIL	FRONT ELEVATION	RESYSTA ASIA
	DETAIL - 4.0	
TYPICAL DRAWING DETAIL	DRAWING NO.	DATE
	4AL-VCUB-2.4	27.02.23
	CAD BY: C.R.E	CHECKED BY:



**SUB-DETAIL**  
**4AL - VCUB 2.5**  
 N.T.S

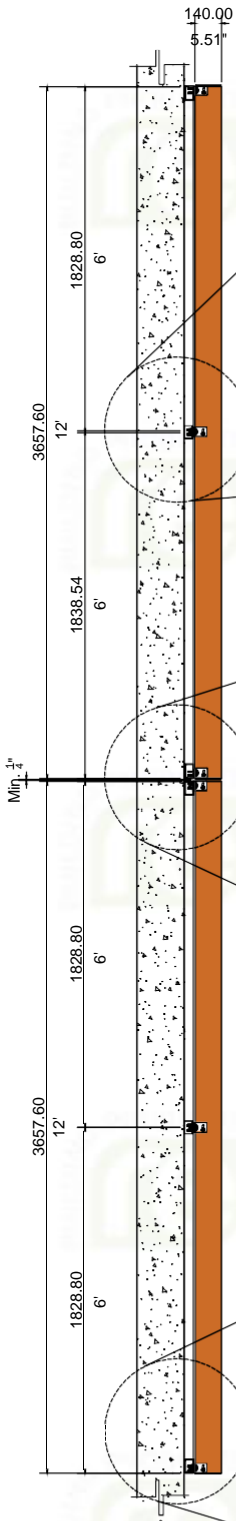
**SIDE ELEVATION**

DIMENSION LEGEND	
Millimeter (mm)	
Inches (") / Foot (')	

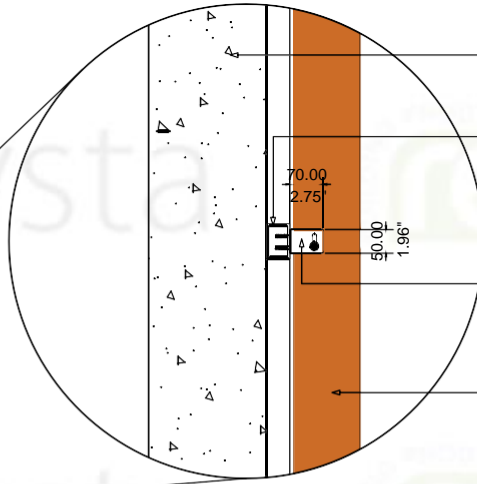


**NOTE**  
 THIS DRAWING AS AN INSTRUMENT OF SERVICE, IS THE PROPERTY OF RESYSTA AND AS SUCH MUST NOT BE REPRODUCED OR COPIED IN PART OR IN WHOLE WITHOUT THE PERMISSION OF THE AUTHOR.

TITLE	SHEET CONTENT	CONTINENT
4LH AL - U BRACKET VERTICAL CLADDING SUB-DETAIL	SIDE ELEVATION	RESYSTA ASIA
	DETAIL-5.0	
	DETAIL-5.1	
SPECIFICATION	DRAWING NO.	DATE
TYPICAL DRAWING DETAIL	4AL-VCUB-2.5	27.02.23
	CAD BY:	CHECKED BY:
	C.R.E	

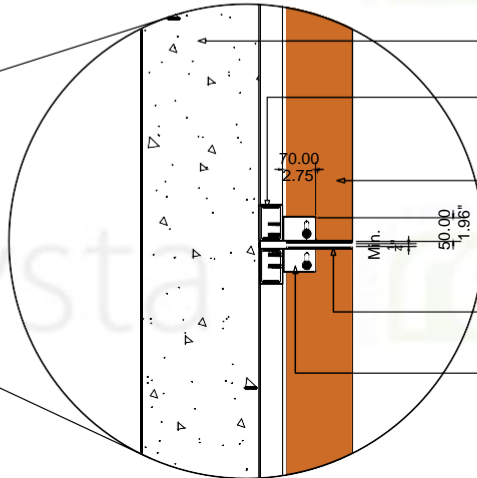


MULTI-BOARD  
SIDE ELEVATION



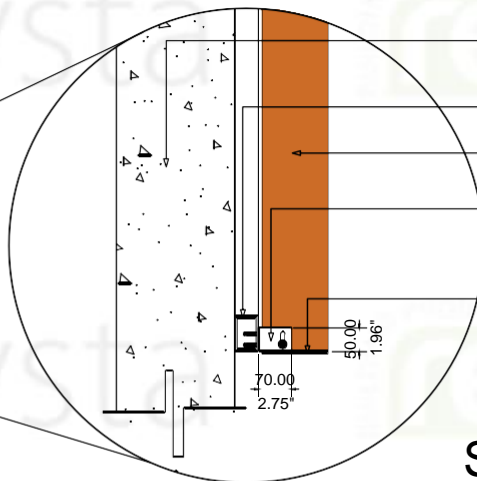
DETAIL - 6.0

- EXISTING WALL
- SUBSTRUCTURE BY OTHERS
- U/B 7038 Aluminum U-Bracket with Bolt, washer and nut
- FPI 14038 N Cladding 4 Channels Thick Al



DETAIL - 7.0

- EXISTING WALL
- SUBSTRUCTURE BY OTHERS
- FPI 14038 N Cladding 4 Channels Thick Al
- Hollow Cap
- U/B 7038 Aluminum U-Bracket with Bolt, washer and nut



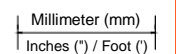
DETAIL - 8.0

- EXISTING WALL
- SUBSTRUCTURE BY OTHERS
- FPI 14038 N Cladding 4 Channels Thick Al
- U/B 7038 Aluminum U-Bracket with Bolt, washer and nut
- Hollow Cap

**SUB-DETAIL**  
**4AL - VCUB 2.6**

N.T.S

**DIMENSION LEGEND**



**NOTE**

THIS DRAWING AS AN INSTRUMENT OF SERVICE, IS THE PROPERTY OF RESYSTA AND AS SUCH MUST NOT BE REPRODUCED OR COPIED IN PART OR IN WHOLE WITHOUT THE PERMISSION OF THE AUTHOR.

TITLE	SHEET CONTENT	CONTINENT
4LH AL - U BRACKET VERTICAL CLADDING SUB-DETAIL	MULTI-BRC SIDE ELEV.	RESYSTA <b>ASIA</b>
	DETAIL-6.C	
	DETAIL-7.C	
SPECIFICATION	DETAIL-8.C	DATE
TYPICAL DRAWING DETAIL	DRAWING NO.	27.02.23
	4AL-VCUB-2.6	CHECKED BY:
	CAD BY:	C.R.E