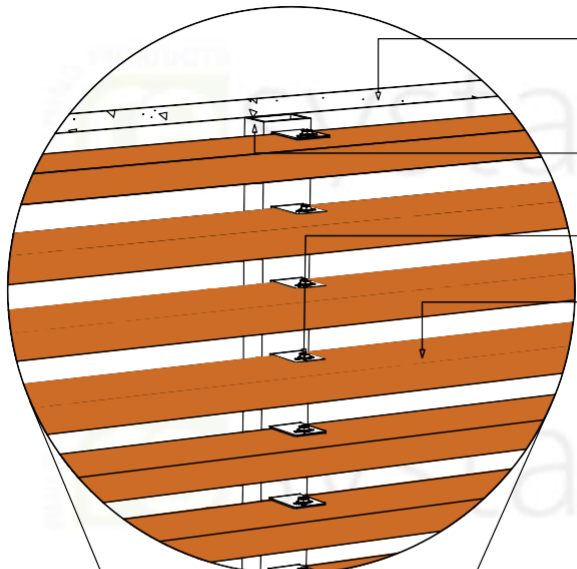


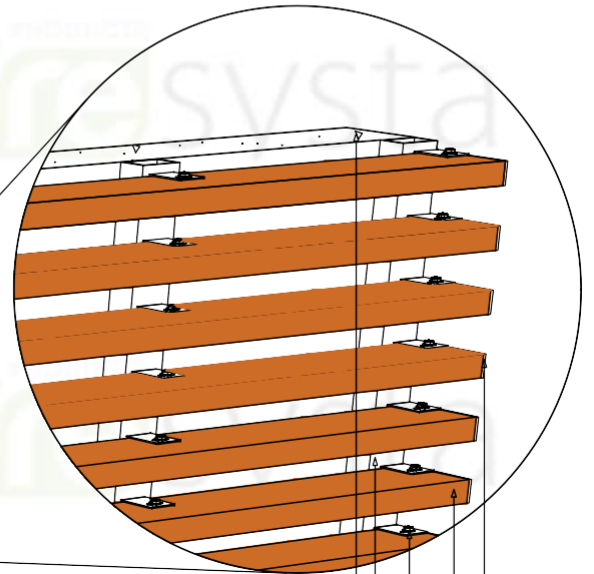
1 4CH HORIZONTAL CLADDING U-BRACKET
 4HCUB RESYSTA PROFILE WITHOUT ALUMINUM INSERT (FPH 14038 N)

	<p>NOTE</p> <p>THIS DRAWING AS AN INSTRUMENT OF SERVICE, IS THE PROPERTY OF RESYSTA AND AS SUCH MUST NOT BE REPRODUCED OR COPIED IN PART OR IN WHOLE WITHOUT THE PERMISSION OF THE AUTHOR.</p>	TITLE	SPECIFICATION	SHEET CONTENT	SHEET SIZE	DRAWING NO.	CONTINENT
		<p>4CH - U Bracket HORIZONTAL CLADDING DETAIL</p>	<p>TYPICAL DRAWING DETAIL</p>	PERSPECTIVE	A3	4HCUB-1.1	RESYSTA ASIA
				TOP VIEW			
				FRONT ELEVATION	DATE	REVISION	
				SIDE ELEVATION	27.02.23	0	
<p>4HCUB</p>			<p>CAD BY: C.R.E</p>	<p>CHECKED BY:</p>	<p>MULTI-BOARD SIDE ELEVATION</p>		

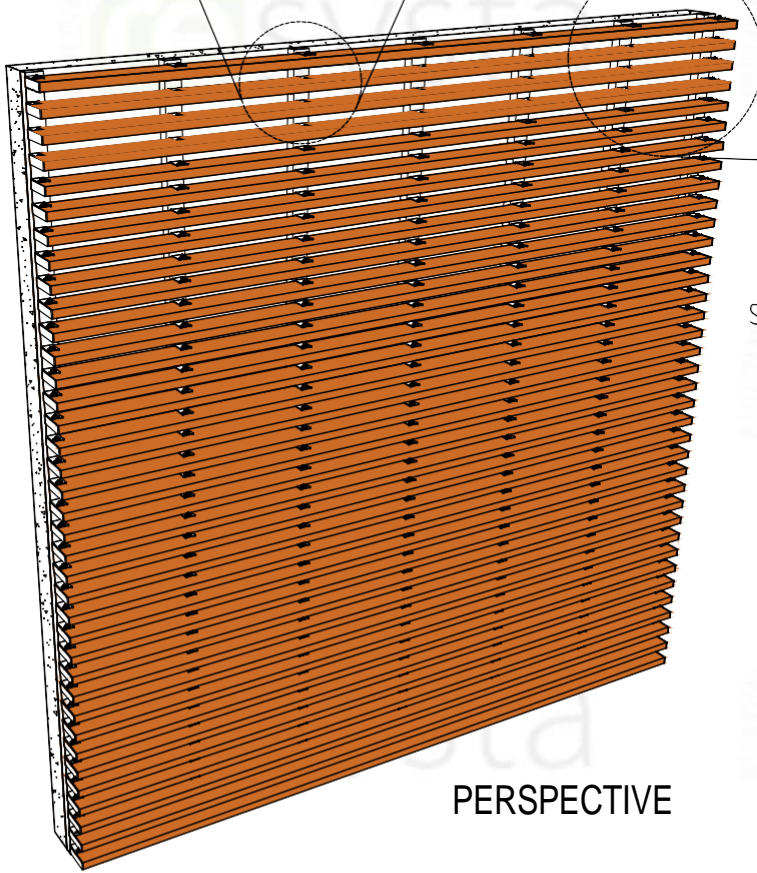


DETAIL - 2.0
MIDDLE PART

- EXISTING WALL
- SUBSTRUCTURE BY OTHERS
- U/B 7038 Aluminum U-Bracket with Bolt, washer and nut
- FPH 14038 N Cladding 4 Channels Thick



- EXISTING WALL
 - SUBSTRUCTURE BY OTHERS
 - U/B 7038 Aluminum U-Bracket with Bolt, washer and nut
 - FPH 14038 N Cladding 4 Channels Thick
 - Hollow Cap
- DETAIL - 1.0**
END PART



PERSPECTIVE

SUB-DETAIL
4HCUB 1.2

N.T.S

DIMENSION LEGEND

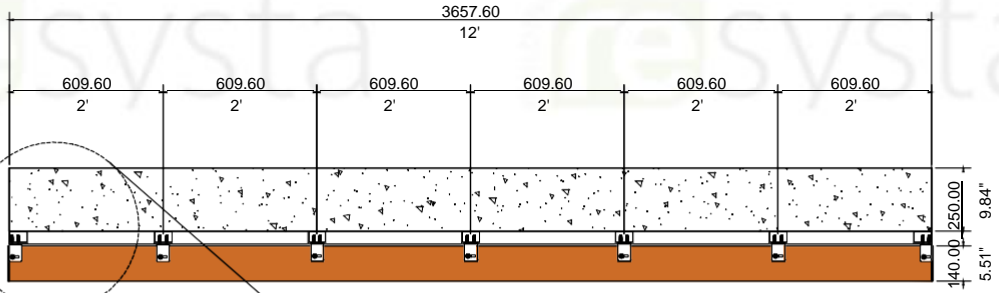
Millimeter (mm)
Inches (") / Foot (')



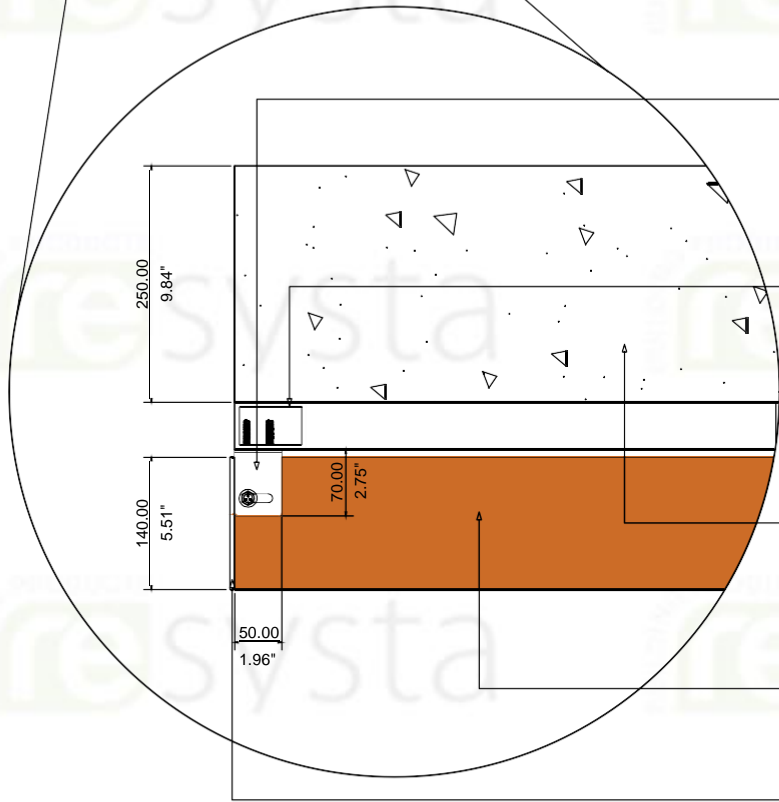
NOTE

THIS DRAWING AS AN INSTRUMENT OF SERVICE, IS THE PROPERTY OF RESYSTA AND AS SUCH MUST NOT BE REPRODUCED OR COPIED IN PART OR IN WHOLE WITHOUT THE PERMISSION OF THE AUTHOR.

TITLE	SHEET CONTENT	CONTINENT
4CH - U BRACKET HORIZONTAL CLADDING SUB-DETAIL	PERSPECTIVE	RESYSTA ASIA
	DETAIL -1.0	
	DETAIL -2.0	
SPECIFICATION	DRAWING NO.	DATE
TYPICAL DRAWING DETAIL	4HCUB-1.2	27.02.23
	CAD BY:	CHECKED BY:
	C.R.E	



TOP VIEW



U/B 7038 Aluminum U-Bracket with Bolt, washer and nut

SUBSTRUCTURE BY OTHERS

EXISTING WALL

FPH 14038 N Cladding 4 Channels Thick

Hollow Cap

DETAIL - 3.0

SUB-DETAIL
4HCUB 1.3

N.T.S

DIMENSION LEGEND

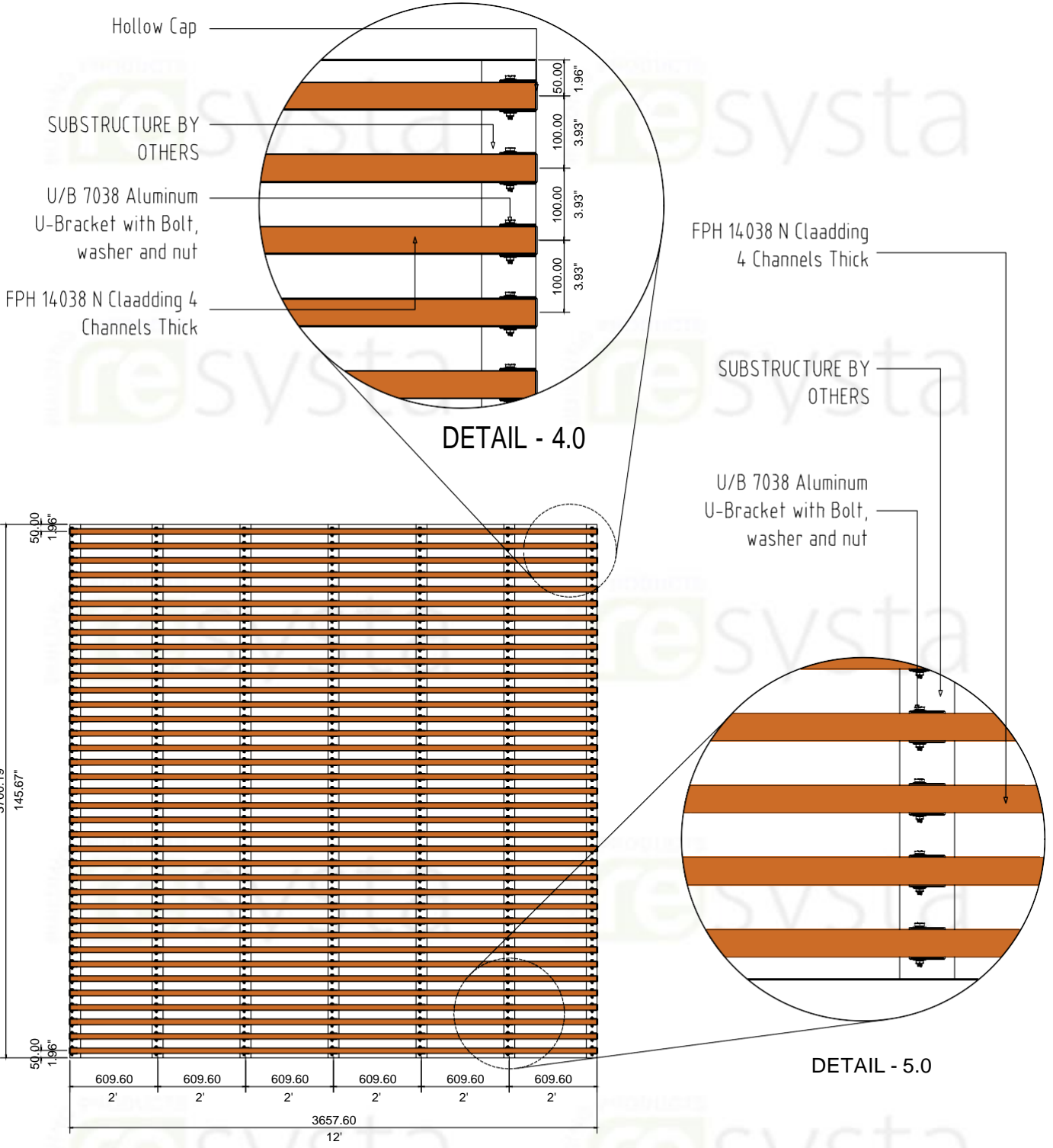
Millimeter (mm)
Inches (") / Foot (')



NOTE

THIS DRAWING AS AN INSTRUMENT OF SERVICE, IS THE PROPERTY OF RESYSTA AND AS SUCH MUST NOT BE REPRODUCED OR COPIED IN PART OR IN WHOLE WITHOUT THE PERMISSION OF THE AUTHOR.

TITLE	SHEET CONTENT	CONTINENT
4LH - U BRACKET HORIZONTAL CLADDING SUB-DETAIL	TOP VIEW	RESYSTA ASIA
	DETAIL -3.0	
SPECIFICATION	DRAWING NO.	DATE
TYPICAL DRAWING DETAIL	4HCUB-1.3	27.02.23
	CAD BY: C.R.E	CHECKED BY:



FRONT ELEVATION

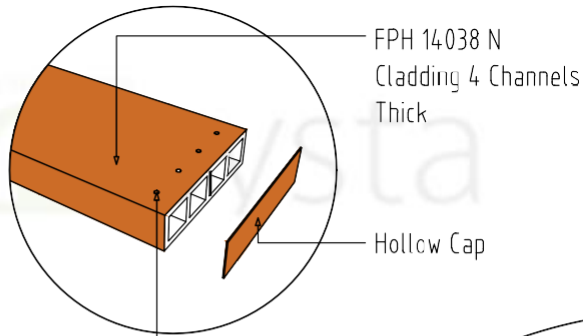
SUB-DETAIL
4HCUB 1.4
N.T.S

DIMENSION LEGEND	
Millimeter (mm)	
Inches (") / Foot (')	



NOTE
THIS DRAWING AS AN INSTRUMENT OF SERVICE, IS THE PROPERTY OF RESYSTA AND AS SUCH MUST NOT BE REPRODUCED OR COPIED IN PART OR IN WHOLE WITHOUT THE PERMISSION OF THE AUTHOR.

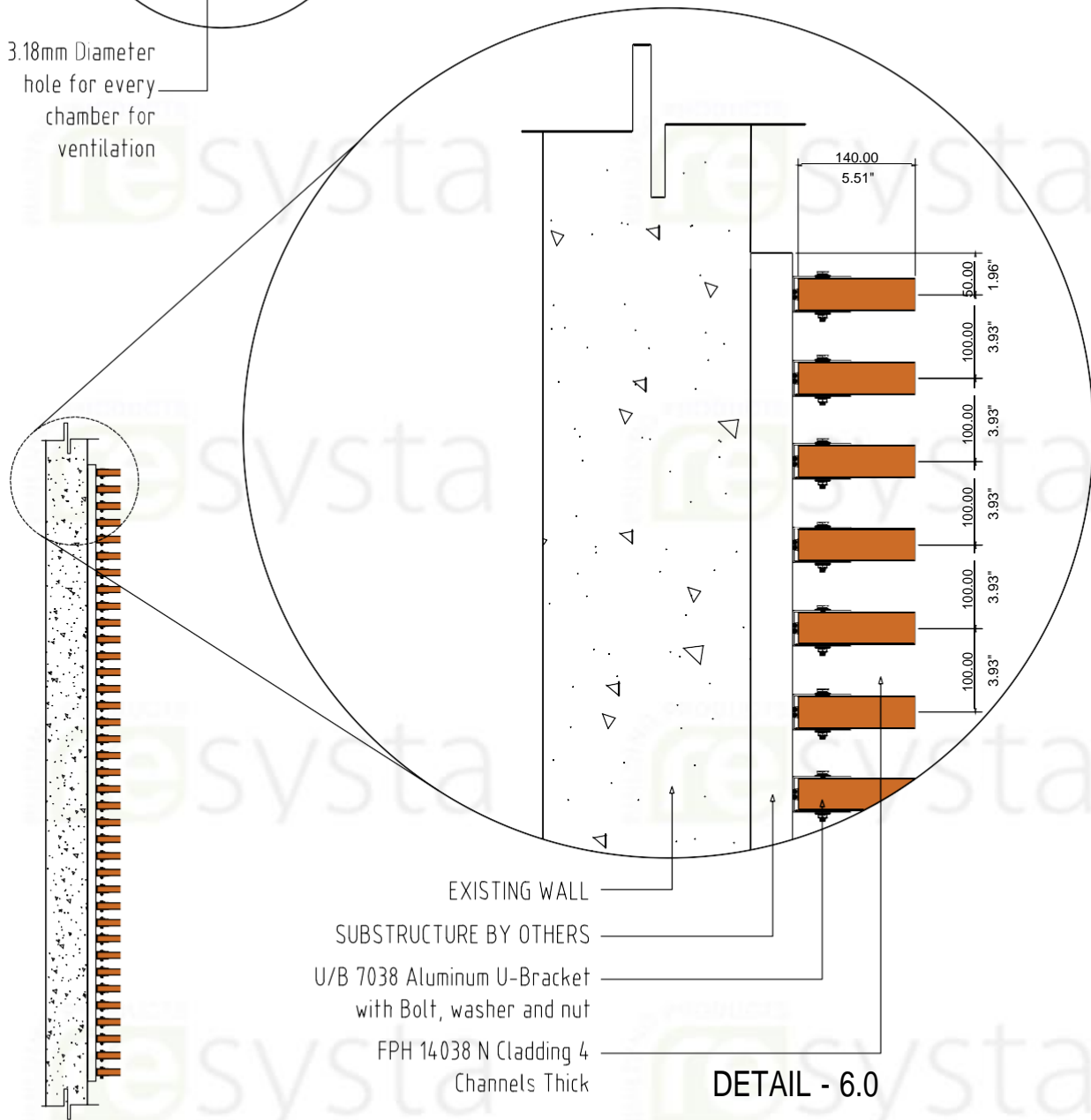
TITLE	SHEET CONTENT	CONTINENT
4CH - U BRACKET HORIZONTAL CLADDING SUB-DETAIL	FRONT ELEVATION	RESYSTA ASIA
	DETAIL-4.0	
	DETAIL-5.0	
SPECIFICATION	DRAWING NO.	DATE
TYPICAL DRAWING DETAIL	4HCUB-1.4	27.02.23
	CAD BY:	CHECKED BY:
	C.R.E	



NOTE:

If applying veneer caps to both ends of the FPH 14038 N you'll need to drill a 3.18mm minimum diameter hole in every chamber to allow for ventilation. The location of the holes will depend on the Clients discretion based on the actual project conditions

3.18mm Diameter hole for every chamber for ventilation



SIDE ELEVATION

SUB-DETAIL
4HCUB 1.5

N.T.S

DIMENSION LEGEND

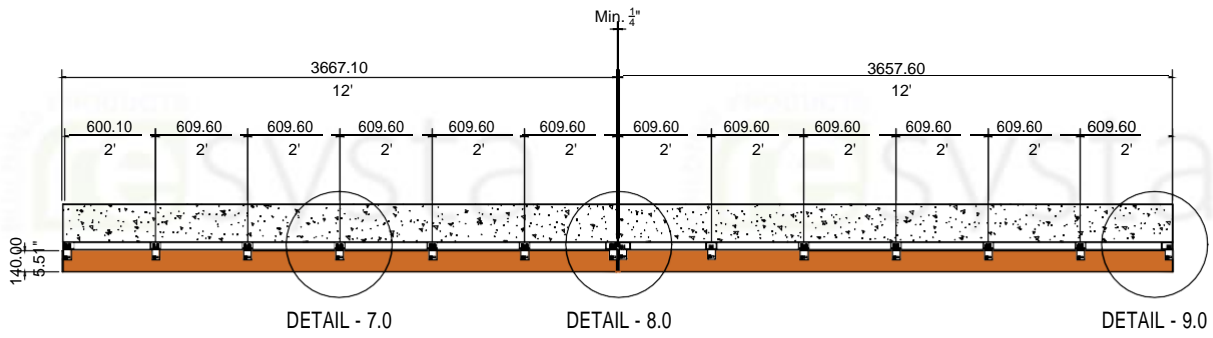
Millimeter (mm)
Inches (") / Foot (')



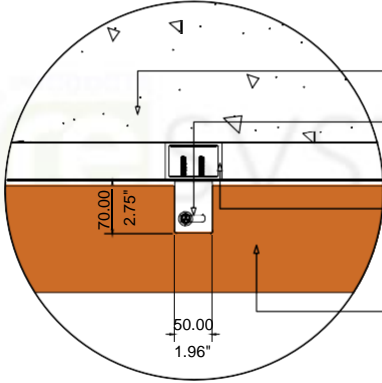
NOTE

THIS DRAWING AS AN INSTRUMENT OF SERVICE, IS THE PROPERTY OF RESYSTA AND AS SUCH MUST NOT BE REPRODUCED OR COPIED IN PART OR IN WHOLE WITHOUT THE PERMISSION OF THE AUTHOR.

TITLE	SHEET CONTENT	CONTINENT
4LH - U BRACKET HORIZONTAL CLADDING SUB-DETAIL	SIDE ELEVATION	RESYSTA ASIA
	DETAIL-6.0	
SPECIFICATION	DRAWING NO.	DATE
TYPICAL DRAWING DETAIL	4HCUB-1.5	27.02.23
	CAD BY:	CHECKED BY:
	C.R.E	

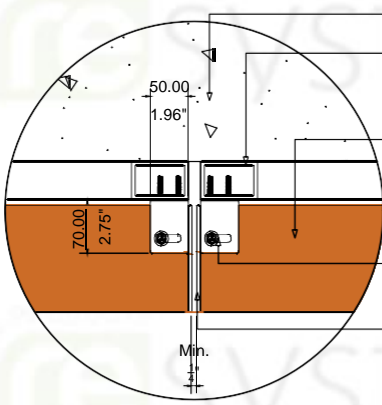


MULTI - BOARD TOP VIEW



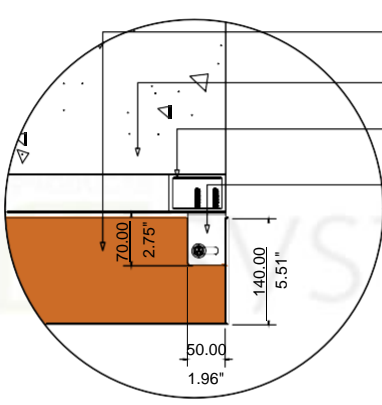
DETAIL - 7.0

- EXISTING WALL
- U/B 7038 Aluminum U-Bracket with Bolt, washer and nut
- SUBSTRUCTURE BY OTHERS
- FPH 14038 N Cladding 4 Channels Thick



DETAIL - 8.0

- EXISTING WALL
- SUBSTRUCTURE BY OTHERS
- FPH 14038 N Cladding 4 Channels Thick
- U/B 7038 Aluminum U-Bracket with Bolt, washer and nut
- Hollow Cap



DETAIL - 9.0

- FPH 14038 N Cladding 4 Channels Thick
- EXISTING WALL
- SUBSTRUCTURE BY OTHERS
- U/B 7038 Aluminum U-Bracket with Bolt, washer and nut

SUB-DETAIL
4HCUB 1.6

N.T.S

DIMENSION LEGEND	
Millimeter (mm)	
Inches (") / Foot (')	



NOTE
THIS DRAWING AS AN INSTRUMENT OF SERVICE, IS THE PROPERTY OF RESYSTA AND AS SUCH MUST NOT BE REPRODUCED OR COPIED IN PART OR IN WHOLE WITHOUT THE PERMISSION OF THE AUTHOR.

TITLE	SHEET CONTENT	CONTINENT
4LH - U BRACKET HORIZONTAL CLADDING SUB-DETAIL	MULTI-BRC TOP VIEW	RESYSTA ASIA
	DETAIL-7.C	
	DETAIL-8.C	
SPECIFICATION	DETAIL-9.C	DATE
	DRAWING NO.	27.02.23
	CAD BY:	CHECKED BY:
TYPICAL DRAWING DETAIL	C.R.E	