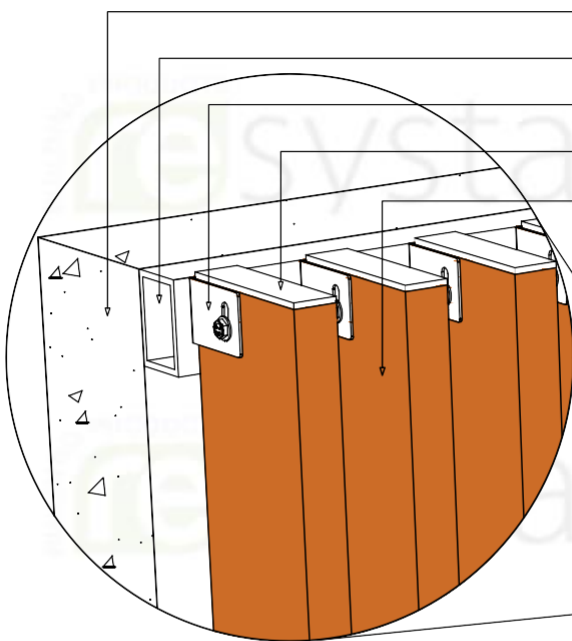


**1** **4CH VERTICAL CLADDING U-BRACKET**  
**4VCUB** RESYSTA PROFILE WITHOUT ALUMINUM INSERT (FPH 14038 N)



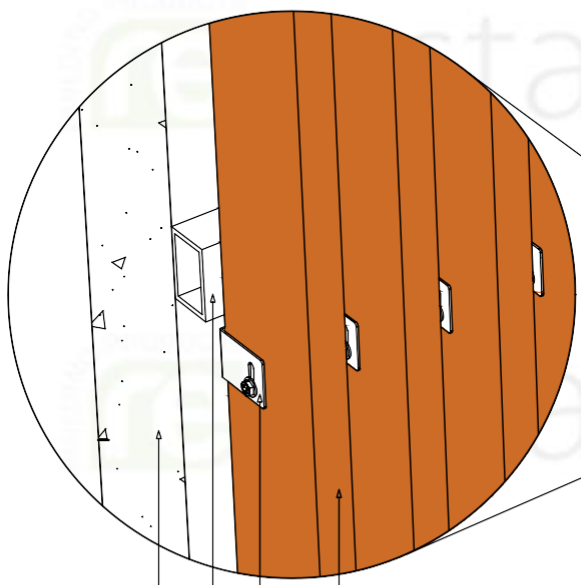
**NOTE**  
 THIS DRAWING AS AN INSTRUMENT OF SERVICE, IS THE PROPERTY OF RESYSTA AND AS SUCH MUST NOT BE REPRODUCED OR COPIED IN PART OR IN WHOLE WITHOUT THE PERMISSION OF THE AUTHOR.

TITLE	SPECIFICATION	SHEET CONTENT	SHEET SIZE	DRAWING NO.	CONTINENT
4CH - U Bracket VERTICAL CLADDING DETAIL	TYPICAL DRAWING DETAIL	PERSPECTIVE	A3	4VCUB-1.1	RESYSTA ASIA
		TOP VIEW			
		FRONT ELEVATION			
		SIDE ELEVATION	DATE	REVISION	
		MULTI-BOARD SIDE ELEVATION	27.02.23	0	
	CAD BY: C.R.E	CHECKED BY:			



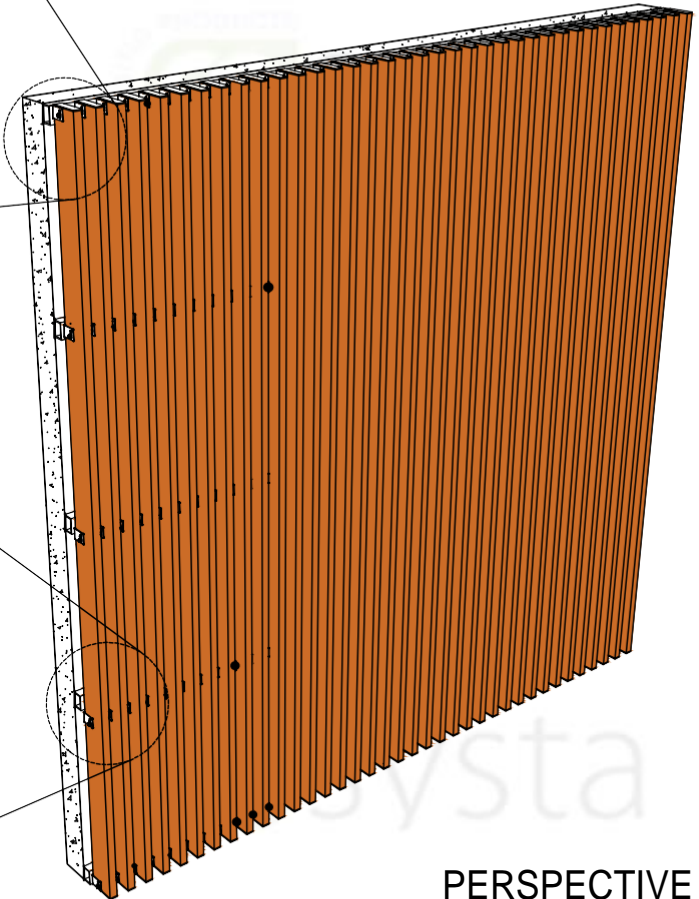
**DETAIL - 1.0**  
END PART

- EXISTING WALL
- SUBSTRUCTURE BY OTHERS
- U/B 7038 Aluminum U-Bracket with Bolt, washer and nut
- Hollow Cap
- FPH 14038 N Cladding 4 Channels Thick



**DETAIL - 12.0**  
MIDDLE PART

- FPH 14038 N Cladding 4 Channels Thick
- U/B 7038 Aluminum U-Bracket with Bolt, washer and nut
- SUBSTRUCTURE BY OTHERS
- EXISTING WALL



**PERSPECTIVE**

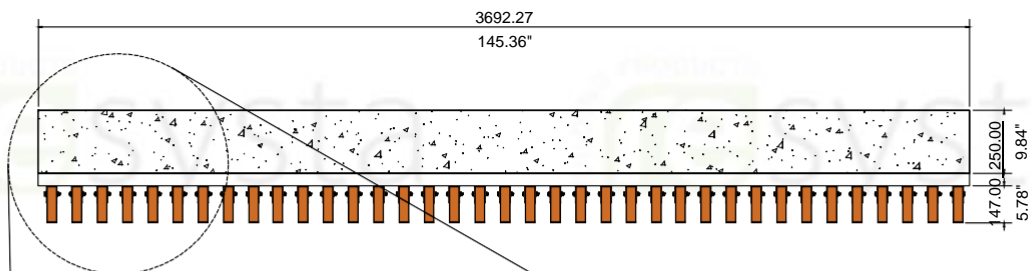
**SUB-DETAIL**  
4VCUB 1.2  
N.T.S

DIMENSION LEGEND	
	Millimeter (mm)
	Inches (") / Foot (')

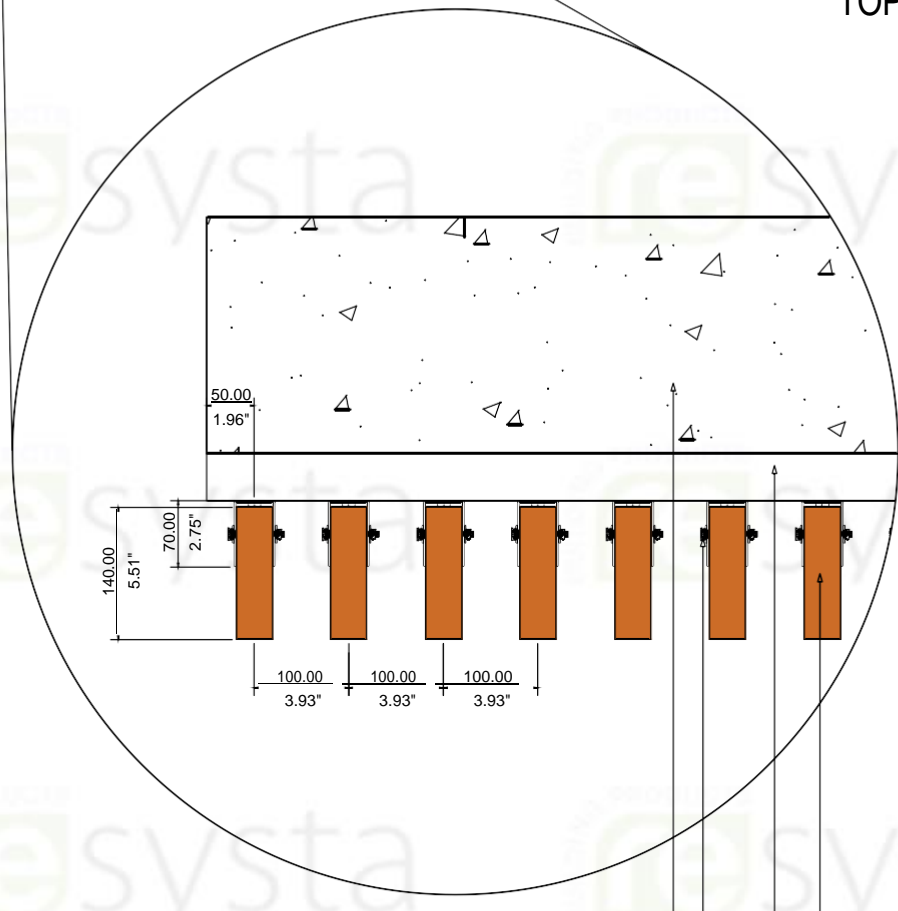


**NOTE**  
THIS DRAWING AS AN INSTRUMENT OF SERVICE, IS THE PROPERTY OF RESYSTA AND AS SUCH MUST NOT BE REPRODUCED OR COPIED IN PART OR IN WHOLE WITHOUT THE PERMISSION OF THE AUTHOR.

TITLE	SHEET CONTENT	CONTINENT
4CH - U BRACKET VERTICAL CLADDING SUB-DETAIL	PERSPECTIVE	RESYSTA ASIA
	DETAIL -1.0	
	DETAIL -2.0	
SPECIFICATION	DRAWING NO.	DATE
TYPICAL DRAWING DETAIL	4VCUB-1.2	27.02.23
	CAD BY:	CHECKED BY:
	C.R.E	



TOP VIEW



- EXISTING WALL
- U/B 7038 Aluminum U-Bracket with Bolt, washer and nut
- SUBSTRUCTURE BY OTHERS
- FPH 14-038 N Cladding 4 Channels Thick

DETAIL - 3.0

**SUB-DETAIL**

4VCUB 1.3

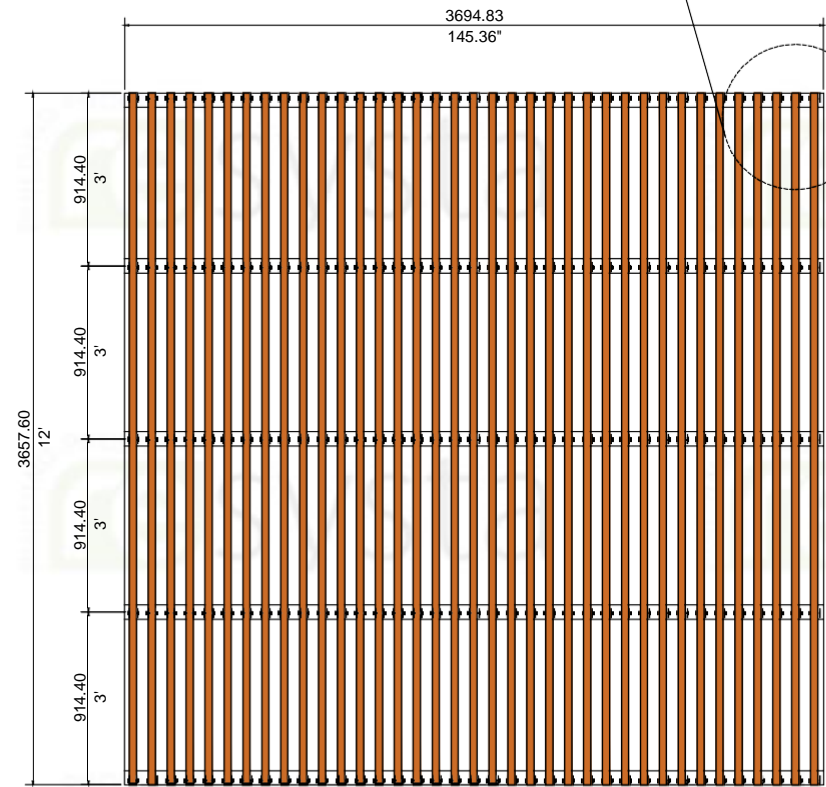
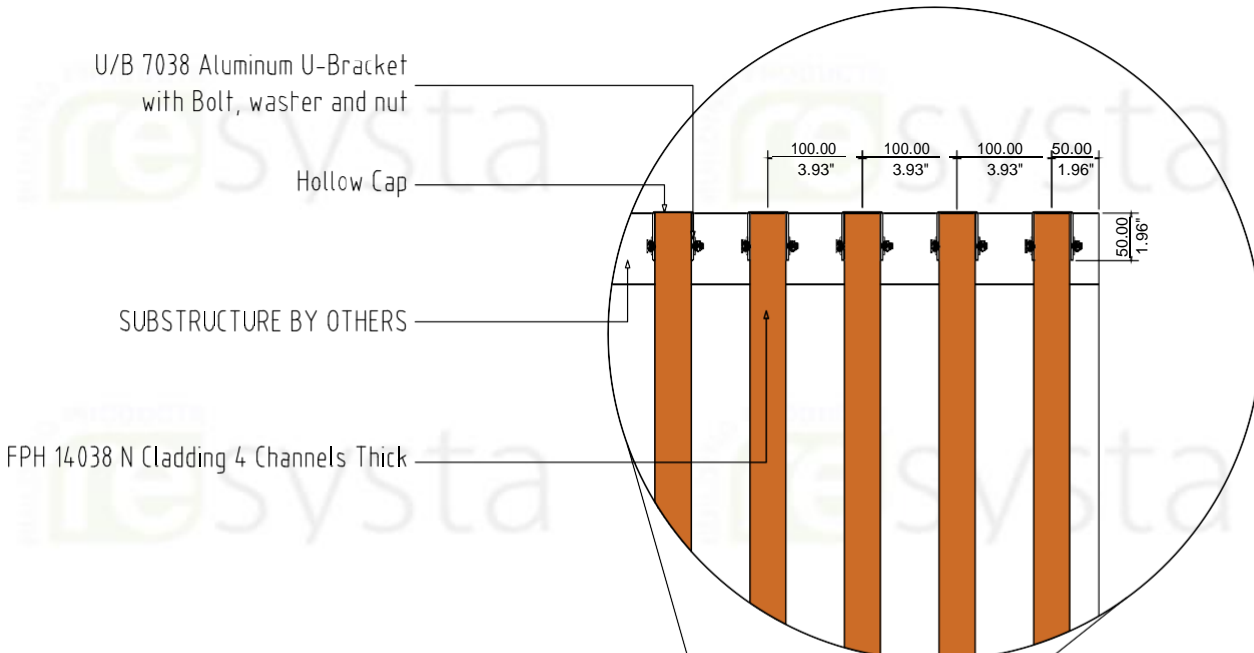
N.T.S

DIMENSION LEGEND	
Millimeter (mm)	
Inches (") / Foot (')	



**NOTE**  
 THIS DRAWING AS AN INSTRUMENT OF SERVICE, IS THE PROPERTY OF RESYSTA AND AS SUCH MUST NOT BE REPRODUCED OR COPIED IN PART OR IN WHOLE WITHOUT THE PERMISSION OF THE AUTHOR.

TITLE	SHEET CONTENT	CONTINENT
4LH - U BRACKET VERTICAL CLADDING SUB-DETAIL	TOP VIEW	RESYSTA ASIA
	DETAIL -3.0	
SPECIFICATION	DRAWING NO.	DATE
TYPICAL DRAWING DETAIL	4VCUB-1.3	27.02.23
	CAD BY:	CHECKED BY:
	C.R.E	



DETAIL - 4.0

FRONT ELEVATION

**SUB-DETAIL**

4VCUB 1.4

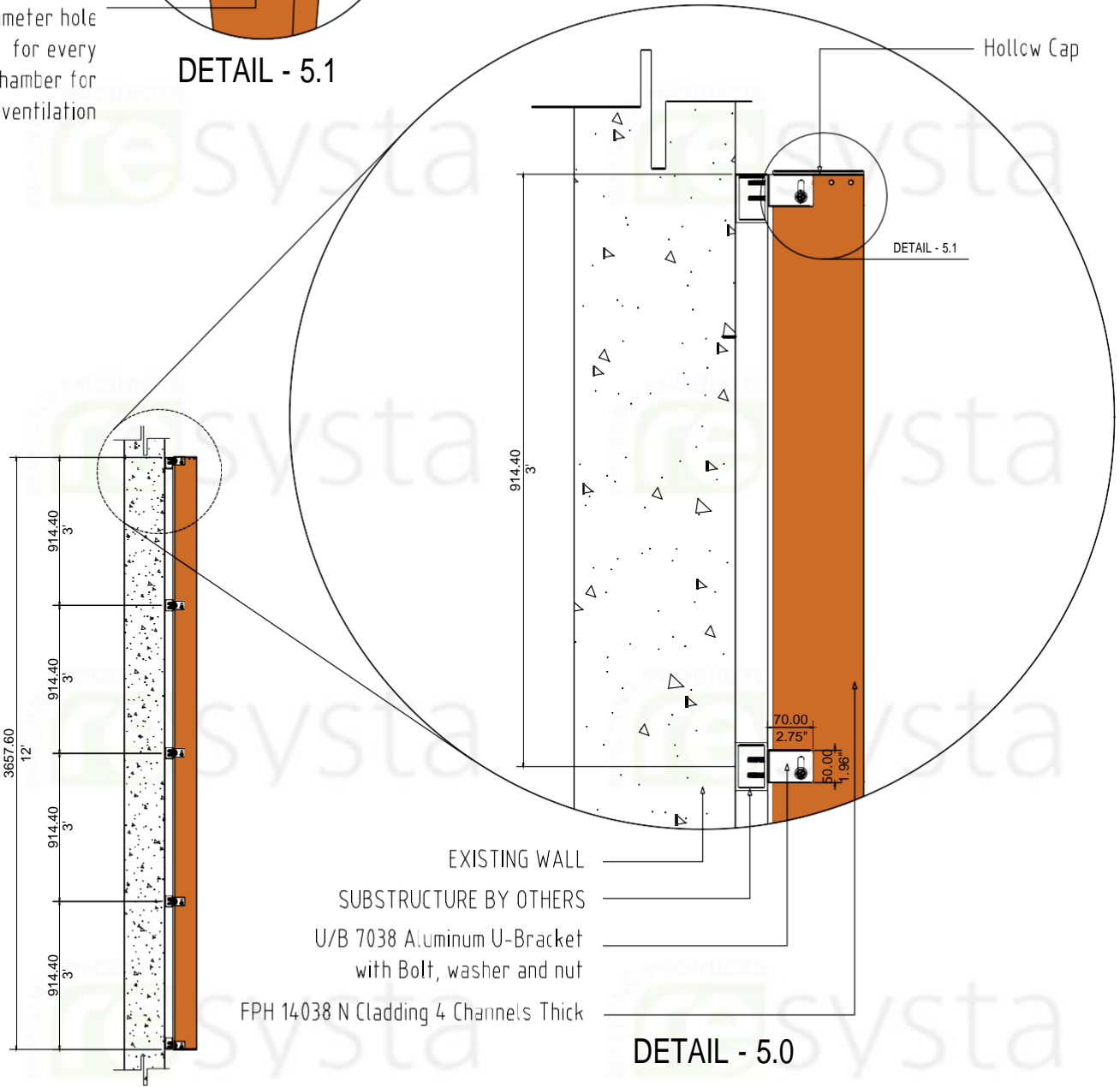
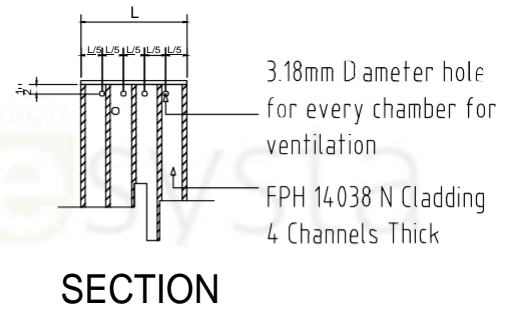
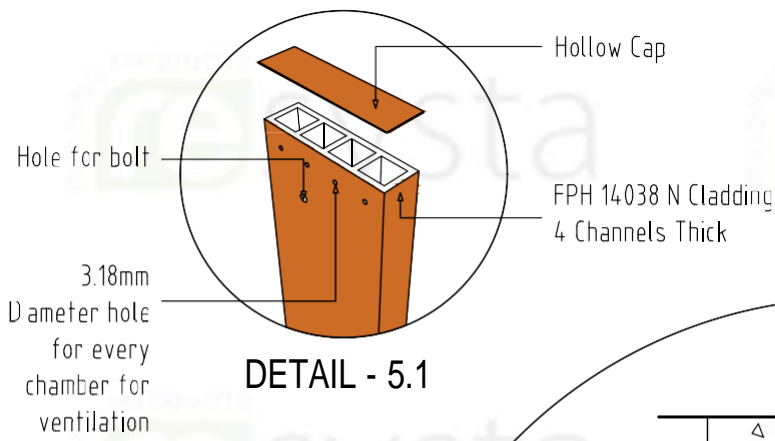
N.T.S

DIMENSION LEGEND	
	Millimeter (mm)
	Inches (") / Foot (')



**NOTE**  
 THIS DRAWING AS AN INSTRUMENT OF SERVICE, IS THE PROPERTY OF RESYSTA AND AS SUCH MUST NOT BE REPRODUCED OR COPIED IN PART OR IN WHOLE WITHOUT THE PERMISSION OF THE AUTHOR.

TITLE	SHEET CONTENT	CONTINENT
4LH - U BRACKET VERTICAL CLADDING SUB-DETAIL	FRONT ELEVATION	RESYSTA <b>ASIA</b>
	DETAIL-4.C	
TYPICAL DRAWING DETAIL	DRAWING NO.	DATE
	4VCUB-1.4	27.02.23
	CAD BY: C.R.E	CHECKED BY:



**SIDE ELEVATION**

**SUB-DETAIL**  
4VCUB 1.5  
N.T.S

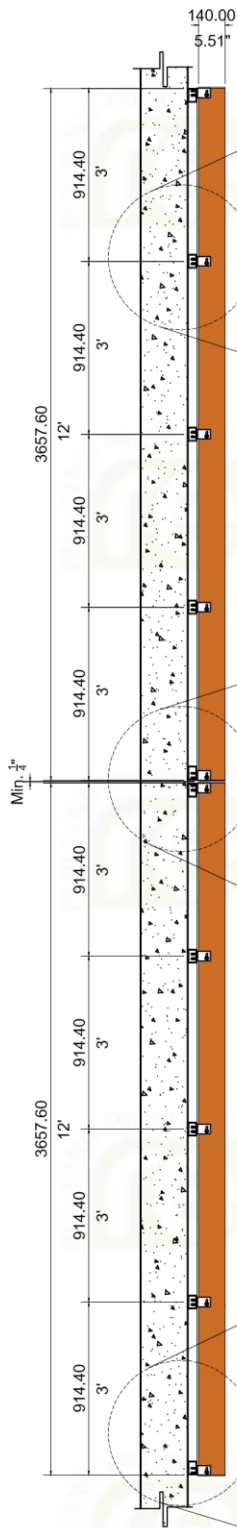
DIMENSION LEGEND	
Millimeter (mm)	Inches (") / Foot (')



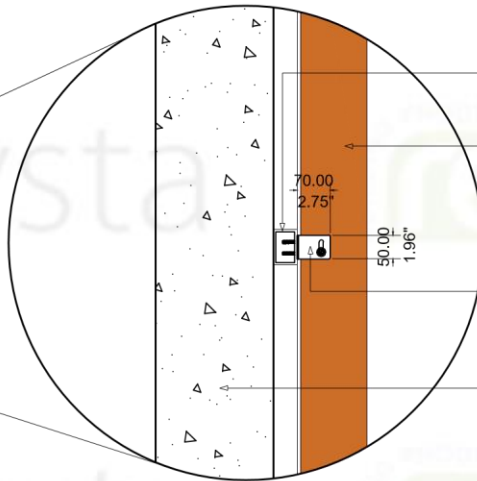
**NOTE**

THIS DRAWING AS AN INSTRUMENT OF SERVICE, IS THE PROPERTY OF RESYSTA AND AS SUCH MUST NOT BE REPRODUCED OR COPIED IN PART OR IN WHOLE WITHOUT THE PERMISSION OF THE AUTHOR.

TITLE	SHEET CONTENT	CONTINENT
4LH - U BRACKET VERTICAL CLADDING SUB-DETAIL	SIDE ELEVATION	RESYSTA <b>ASIA</b>
	DETAIL-5.0	
	DETAIL-5.1	
SPECIFICATION	SECTION	DATE
TYPICAL DRAWING DETAIL	DRAWING NO. 4VCUB-1.5	27.02.23
	CAD BY: C.R.E	CHECKED BY:

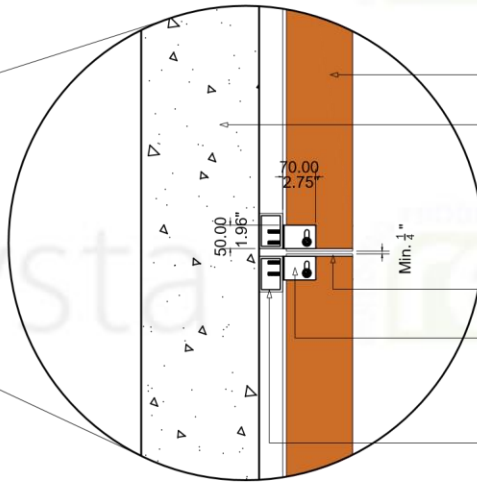


MULTI-BOARD  
SIDE ELEVATION



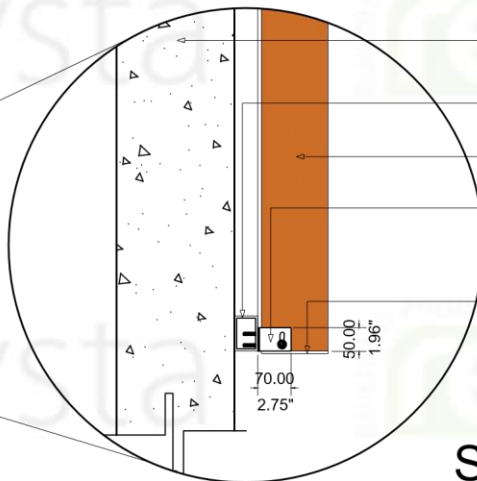
DETAIL - 6.0

- SUBSTRUCTURE BY OTHERS
- FPH 14038 N Cladding 4 Channels Thick
- U/B 7038 Aluminum U-Bracket with Bolt, washer and nut
- EXISTING WALL



DETAIL - 7.0

- FPH 14038 N Cladding 4 Channels Thick
- EXISTING WALL
- Hollow Cap
- U/B 7038 Aluminum U-Bracket with Bolt, washer and nut
- SUBSTRUCTURE BY OTHERS



DETAIL - 8.0

- EXISTING WALL
- SUBSTRUCTURE BY OTHERS
- FPH 14038 N Cladding 4 Channels Thick
- U/B 7038 Aluminum U-Bracket with Bolt, washer and nut
- Hollow Cap

**SUB-DETAIL**  
4VCUB 1.6

N.T.S

DIMENSION LEGEND	
	Millimeter (mm)
	Inches (") / Foot (')



**NOTE**

THIS DRAWING AS AN INSTRUMENT OF SERVICE, IS THE PROPERTY OF RESYSTA AND AS SUCH MUST NOT BE REPRODUCED OR COPIED IN PART OR IN WHOLE WITHOUT THE PERMISSION OF THE AUTHOR.

TITLE	SHEET CONTENT	CONTINENT
4CH - U BRACKET VERTICAL CLADDING SUB-DETAIL	MULTI-BRD SIDE ELEV.	RESYSTA ASIA
	DETAIL-6.0	
	DETAIL-7.0	
SPECIFICATION	DETAIL-8.0	
	DRAWING NO.	DATE
	4VCUB-16	27.02.23
TYPICAL DRAWING DETAIL	CAD BY:	CHECKED BY:
	C.R.E	