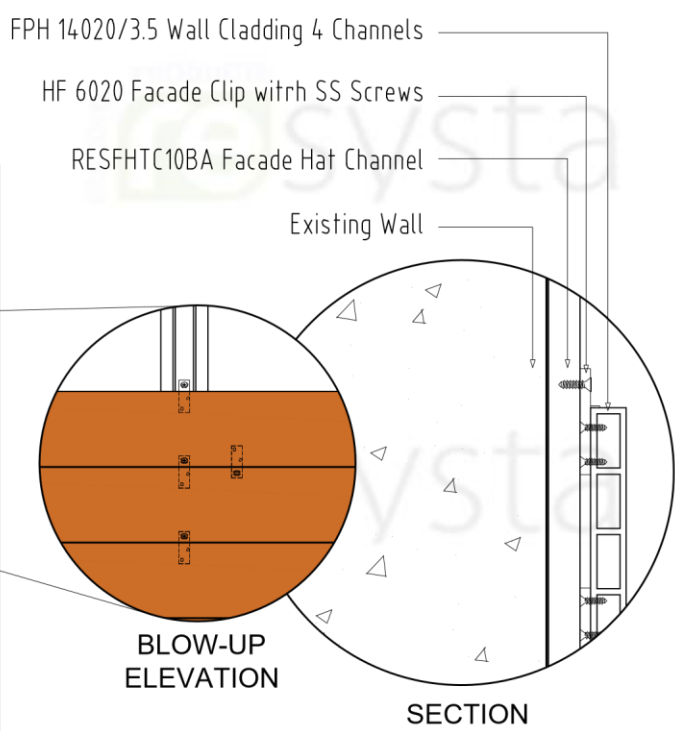
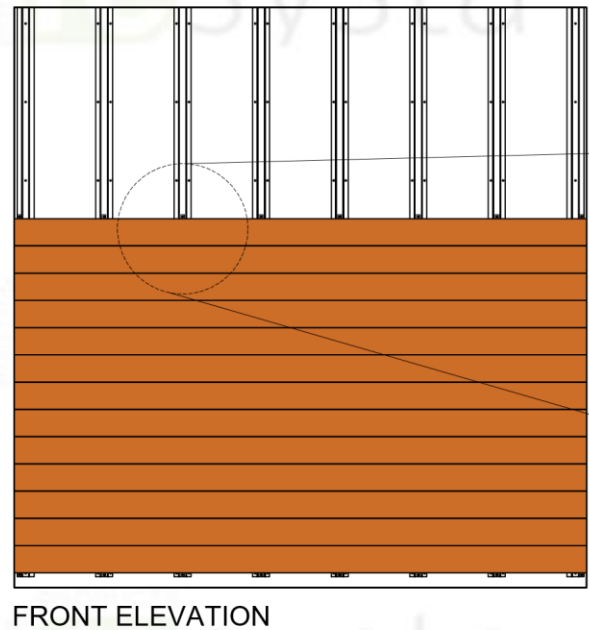
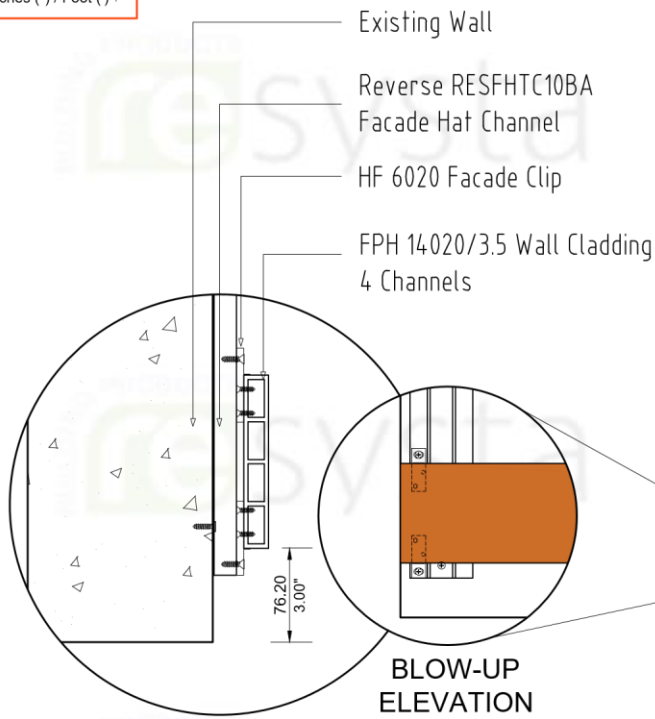


NOTE	TITLE	SPECIFICATION	SHEET CONTENT	SHEET SIZE	DRAWING NO.	CONTINENT
THIS DRAWING AS AN INSTRUMENT OF SERVICE, IS THE PROPERTY OF RESYSTA AND AS SUCH MUST NOT BE REPRODUCED OR COPIED IN PART OR IN WHOLE WITHOUT THE PERMISSION OF THE AUTHOR.	ALUMINUM TRIM HORIZONTAL CLADDING DETAIL	TYPICAL DRAWING DETAIL	ISOMETRIC VIEW	A3	ATHCD-01	RESYSTA ASIA
			BLOW-UP DETAIL			
		CAD BY: M.T.C.	CHECKED BY: C.RE	DATE 03.01.23	REVISION 0	



DIMENSION LEGEND

Millimeter (mm)
Inches (") / Foot (')



SUB-DETAIL
ATHCD 1.1
N.T.S

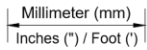
Note:
Each HF Clip requires 3 screws. Two are #8 x12.7mm SMS screws to attach the Clip to the Resysta Wall Cladding board and one is to attach the wall cladding board with the clip to the battens.



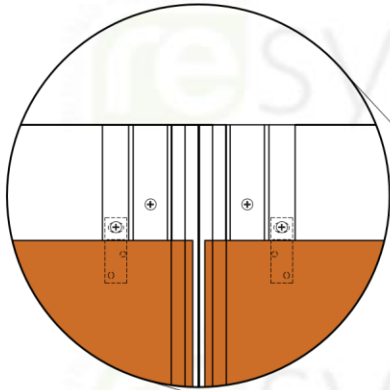
NOTE
THIS DRAWING AS AN INSTRUMENT OF SERVICE, IS THE PROPERTY OF RESYSTA AND AS SUCH MUST NOT BE REPRODUCED OR COPIED IN PART OR IN WHOLE WITHOUT THE PERMISSION OF THE AUTHOR.

TITLE	SHEET CONTENT	CONTINENT
ALUMINUM TRIM HORIZONTAL CLADDING SUB-DETAIL	ELEVATION	RESYSTA ASIA
	BLOW-UP DETAIL	
SPECIFICATION	SECTION	DATE
	TYPICAL DRAWING DETAIL	DRAWING NO.
	ATHCD-02	CHECKED BY:
	M.T.C.	C.R.E.

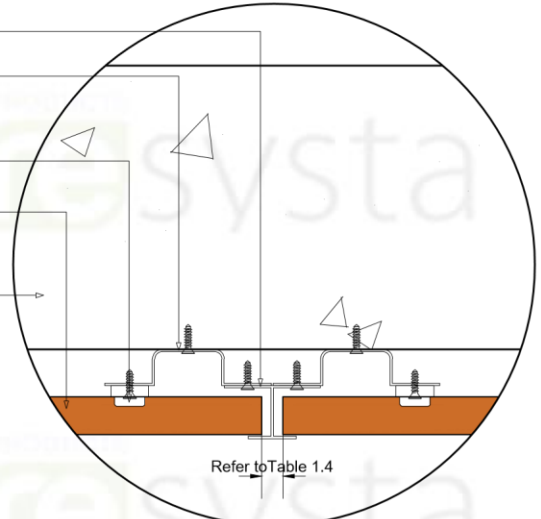
DIMENSION LEGEND



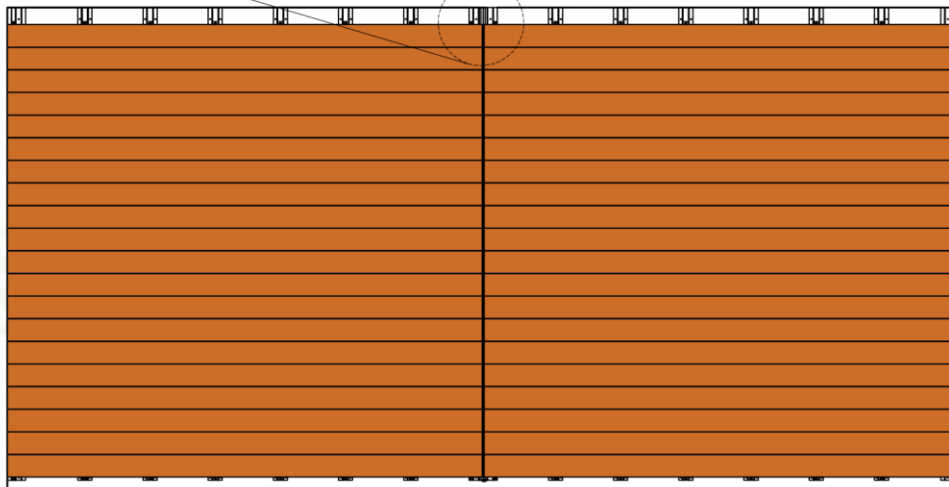
- RESFHM10 Facade H Mold
- Reverse RESFHTC10BA
- Facade Hat Channel
- HF 6020 Facade Clip
- FPH 14020/3.5 Wall Cladding 4 Channels
- Existing Wall



BLOW-UP ELEVATION



TOP VIEW

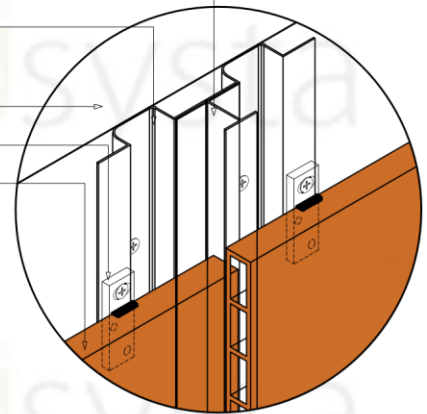


FRONT ELEVATION

SUB-DETAIL
ATHCD 1.2

N.T.S

- RESFHM10 Facade H Mold
- Reverse RESFHTC10BA
- Facade Hat Channel
- Existing Wall
- HF 6020 Facade Clip
- FPH 14020/3.5 Wall Cladding 4 Channels



ISOMETRIC VIEW

Table 1.4 "Resysta Expansion"

Resysta Wall Cladding Board Gap Guide					
Temperature at Installation	Aluminum Trim Gap of Wall cladding Board				H-Channel Gap
	Below 0°C	15°C	20°C	30°C	
Amount for Wall cladding Profile - Length of 2900mm.	10mm	7mm	3mm	0mm	6mm

Note :

An H-Channel Trim should be installed at each board abutment joint to cover the ends of the Resysta Wall Cladding Boards. This is an option for installation using 3 or more boards abutted end-to-end. When connecting wall cladding boards at the ends, please consider Resysta Expansion.



NOTE

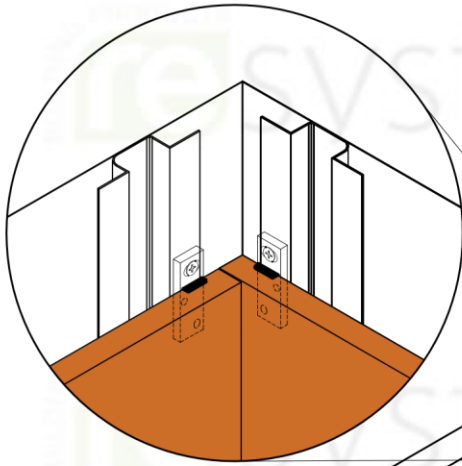
THIS DRAWING AS AN INSTRUMENT OF SERVICE, IS THE PROPERTY OF RESYSTA AND AS SUCH MUST NOT BE REPRODUCED OR COPIED IN PART OR IN WHOLE WITHOUT THE PERMISSION OF THE AUTHOR.

TITLE	SHEET CONTENT	CONTINENT
ALUMINUM TRIM HORIZONTAL CLADDING SUB-DETAIL	ELEVATION	RESYSTA ASIA
	BLOW-UP DETAIL	
	TOP VIEW	
SPECIFICATION	ISOMETRIC VIEW	DATE
	DRAWING NO.	03.01.23
	CAD BY:	CHECKED BY:
	M.T.C.	C.R.E
TYPICAL DRAWING DETAIL		

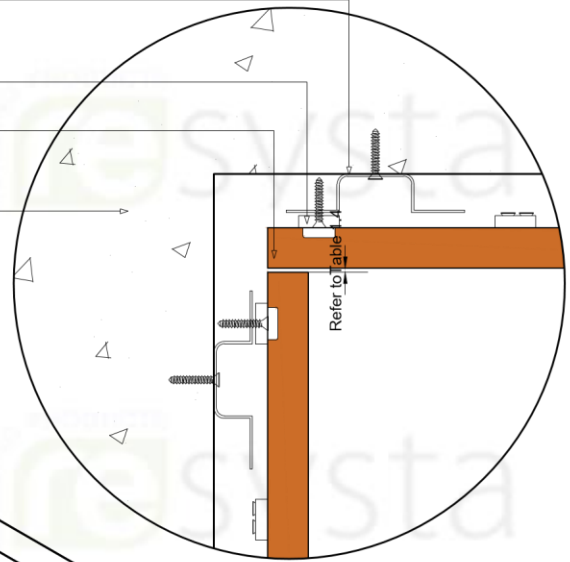
DIMENSION LEGEND

Millimeter (mm)
Inches (") / Foot (')

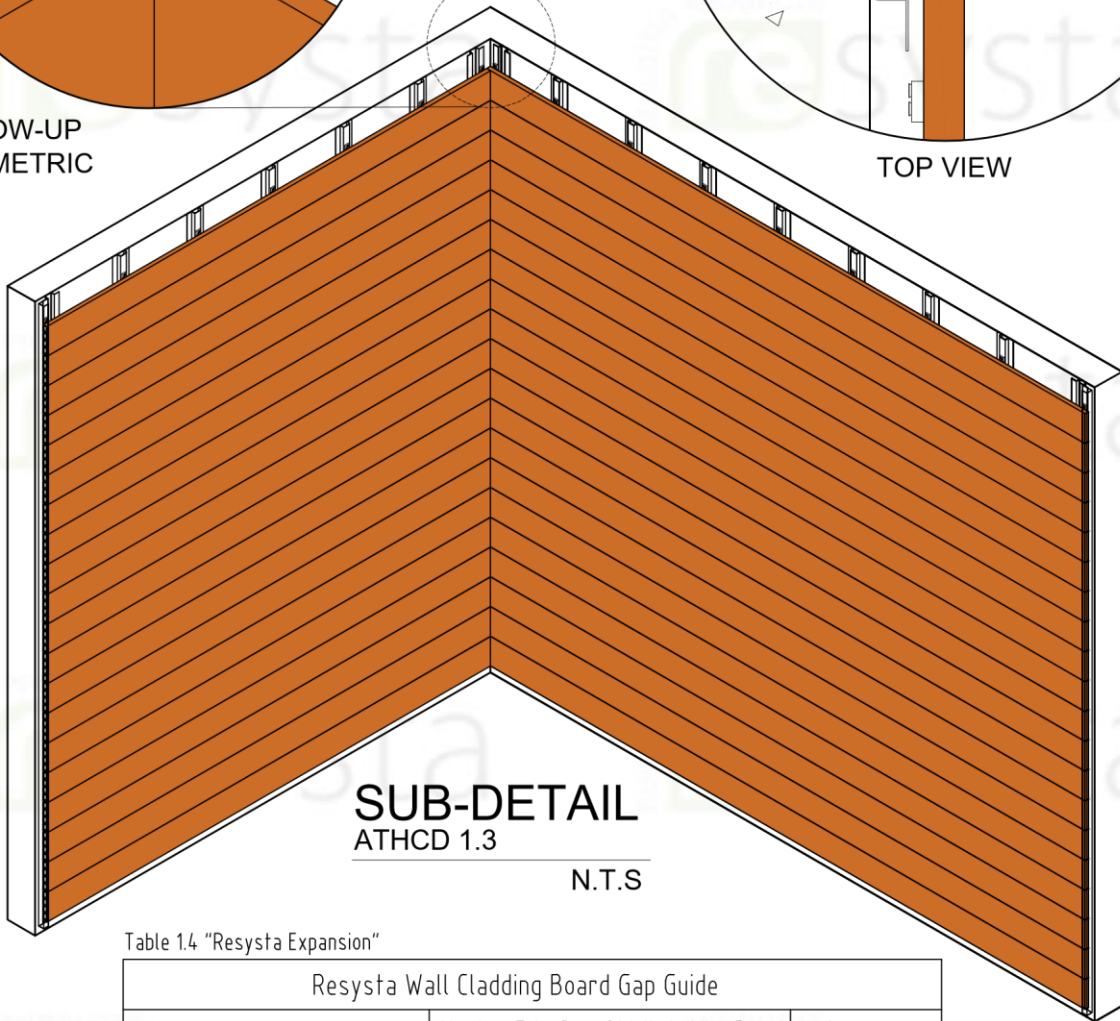
Reverse RESFHTC10BA
Facade Hat Channel
HF 6020 Facade Clip
FPH 14020/3.5 Wall
Cladding 4 Channels
Existing Wall



**BLOW-UP
ISOMETRIC**



TOP VIEW



**SUB-DETAIL
ATHCD 1.3**

N.T.S

**ISOMETRIC
VIEW**

Table 1.4 "Resysta Expansion"

Resysta Wall Cladding Board Gap Guide					
	Aluminum Trim Gap of Wall cladding Board				H-Channel Gap
Temperature at Installation	Below 0°C	15°C	20°C	30°C	
Amount for Wall cladding Profile - Length of 2900mm.	10mm	7mm	3mm	0mm	6mm

Note :

When connecting wall cladding boards at the ends, please consider Resysta Expansion.



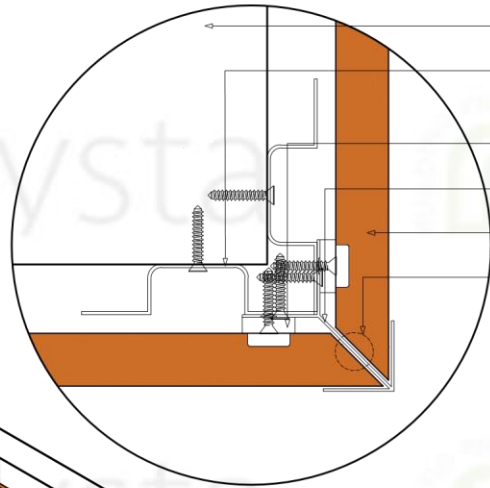
NOTE

THIS DRAWING AS AN INSTRUMENT OF SERVICE, IS THE PROPERTY OF RESYSTA AND AS SUCH MUST NOT BE REPRODUCED OR COPIED IN PART OR IN WHOLE WITHOUT THE PERMISSION OF THE AUTHOR.

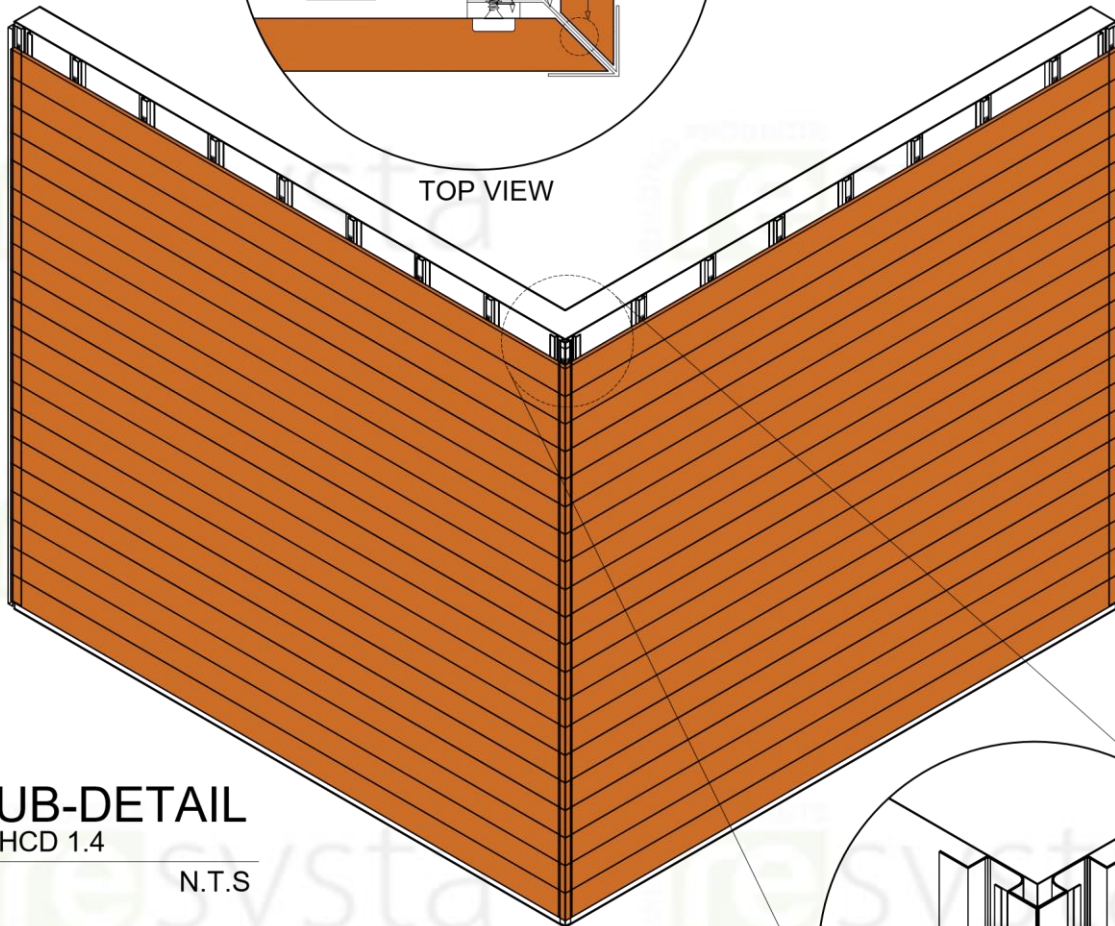
TITLE	SHEET CONTENT	CONTINENT
ALUMINUM TRIM HORIZONTAL CLADDING SUB-DETAIL	ISOMETRIC VIEW	RESYSTA ASIA
	BLOW-UP DETAIL	
	TOP VIEW	
SPECIFICATION	DRAWING NO.	DATE
TYPICAL DRAWING DETAIL	ATHCD-04	03.01.23
	CAD BY:	CHECKED BY:
	M.T.C.	C.R.E

DIMENSION LEGEND

Millimeter (mm)
Inches (") / Foot (')

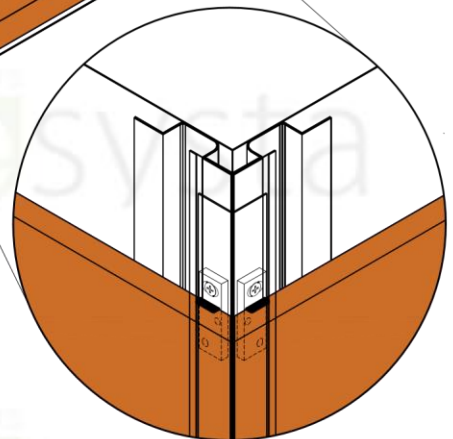


- Existing Wall
- Reverse RESFHTC10BA Facade Hat Channel
- HF 6020 Facade Clip
- RESFOC10 Facade Outside Corner
- FPH 14020/3.5 Wall Cladding 4 Channels
- Gap_ Refer to Table 1.4



TOP VIEW

ISOMETRIC VIEW



BLOW-UP ISOMETRIC

SUB-DETAIL
ATHCD 1.4

N.T.S

Table 1.4 "Resysta Expansion"

Resysta Wall Cladding Board Gap Guide					
	Aluminum Trim Gap of Wall cladding Board				H-Channel Gap
Temperature at Installation	Below 0°C	15°C	20°C	30°C	
Amount for Wall cladding Profile - Length of 2900mm.	10mm	7mm	3mm	0mm	6mm

Note :

Outside corner trim should be pre applied prior to installing wall cladding boards. The wall cladding board end that is inserted into the outside corner should be miter cut at a 45 degree angle to match up with the outside corner internal web. Follow the gap guide when installing the wall cladding board to allow for expansion and contraction within the outside corner trim

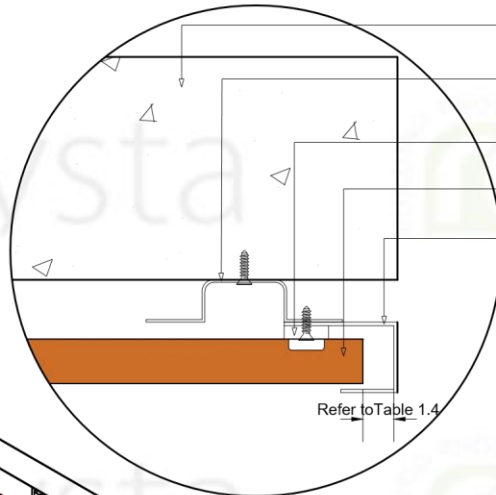
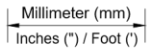


NOTE

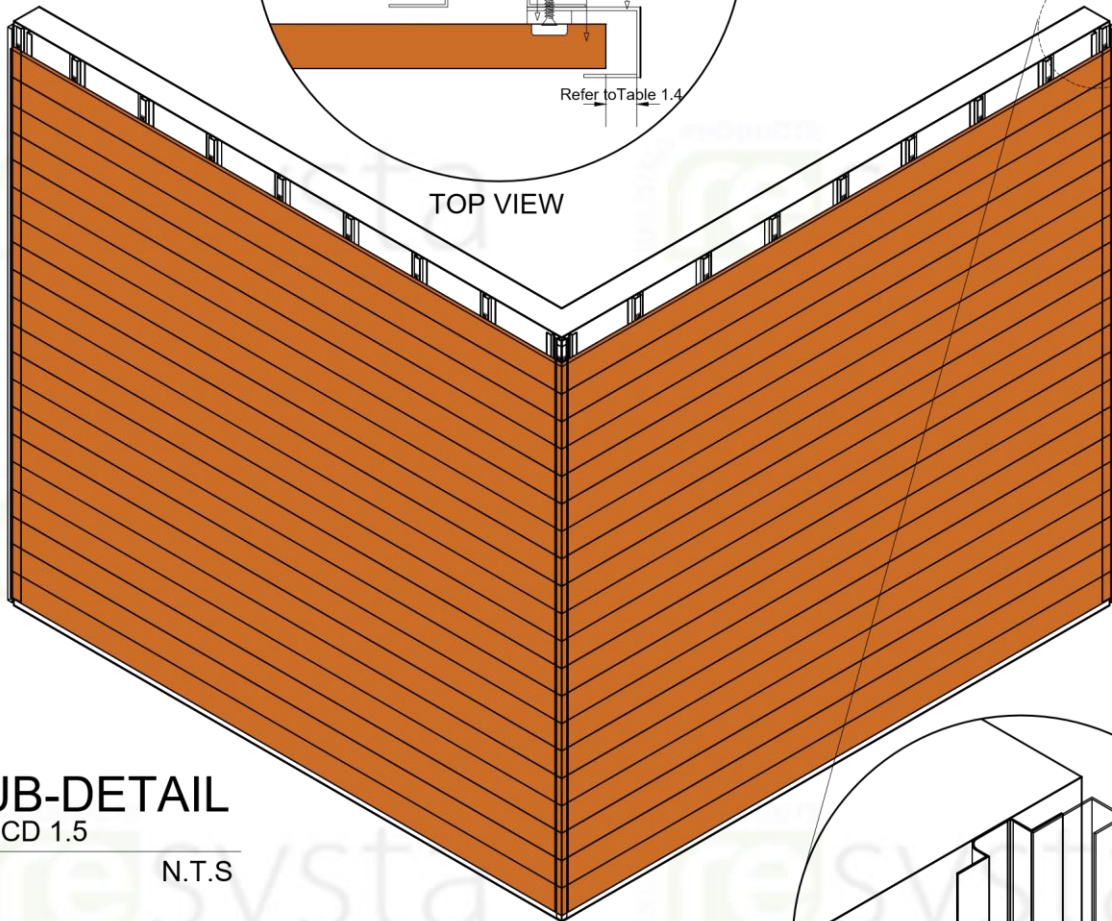
THIS DRAWING AS AN INSTRUMENT OF SERVICE, IS THE PROPERTY OF RESYSTA AND AS SUCH MUST NOT BE REPRODUCED OR COPIED IN PART OR IN WHOLE WITHOUT THE PERMISSION OF THE AUTHOR.

TITLE	SHEET CONTENT	CONTINENT
ALUMINUM TRIM HORIZONTAL CLADDING SUB-DETAIL	ISOMETRIC VIEW	RESYSTA ASIA
	BLOW-UP DETAIL	
	TOP VIEW	
SPECIFICATION	DRAWING NO.	DATE
TYPICAL DRAWING DETAIL	ATHCD-05	03.01.23
	CAD BY:	CHECKED BY:
	M.T.C.	C.R.E

DIMENSION LEGEND

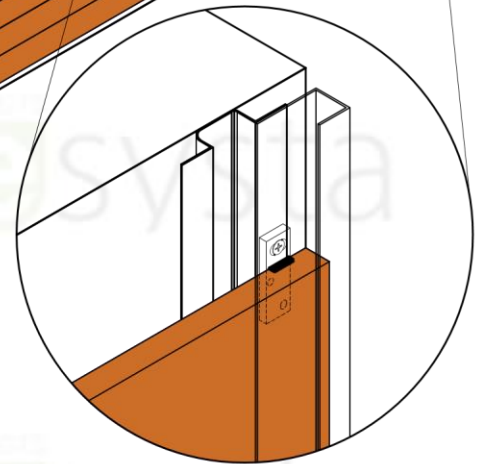


- Existing Wall
- Reverse RESFHTC10BA
- Facade Hat Channel
- HF 6020 Facade Clip
- FPH 14020/3.5 Wall Cladding 4 Channels
- RESFJM10 Facade J Mold



TOP VIEW

ISOMETRIC VIEW



BLOW-UP ISOMETRIC

SUB-DETAIL

ATHCD 1.5

N.T.S

Table 1.4 "Resysta Expansion"

Resysta Wall Cladding Board Gap Guide					
	Aluminum Trim Gap of Wall cladding Board				H-Channel Gap
Temperature at Installation	Below 0°C	15°C	20°C	30°C	
Amount for Wall cladding Profile - Length of 2900mm.	10mm	7mm	3mm	0mm	6mm

Note :

When a wall cladding board in either a horizontal or vertical application terminates into a wall, eave, window, door etc. a J-channel should be used to cover the exposed end of the wall cladding board. The J-channel should also be used along the bottom of a vertical installation. J-channel trim should be pre-applied prior to installing wall cladding boards.



NOTE

THIS DRAWING AS AN INSTRUMENT OF SERVICE, IS THE PROPERTY OF RESYSTA AND AS SUCH MUST NOT BE REPRODUCED OR COPIED IN PART OR IN WHOLE WITHOUT THE PERMISSION OF THE AUTHOR.

TITLE	SHEET CONTENT	CONTINENT
ALUMINUM TRIM HORIZONTAL CLADDING SUB-DETAIL	ISOMETRIC VIEW	RESYSTA ASIA
	BLOW-UP DETAIL	
	TOP VIEW	
SPECIFICATION	DRAWING NO.	DATE
TYPICAL DRAWING DETAIL	ATHCD-06	03.01.23
	CAD BY:	CHECKED BY:
	M.T.C.	C.R.E.