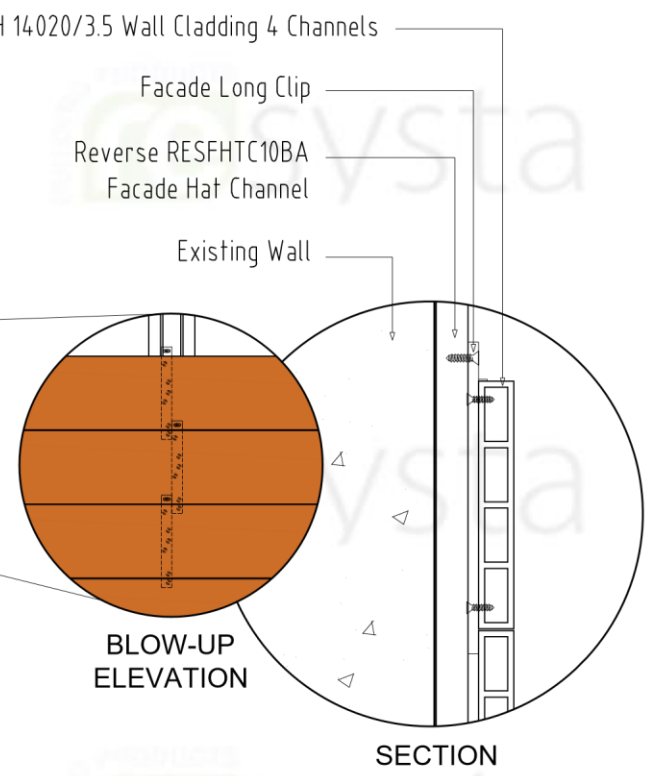
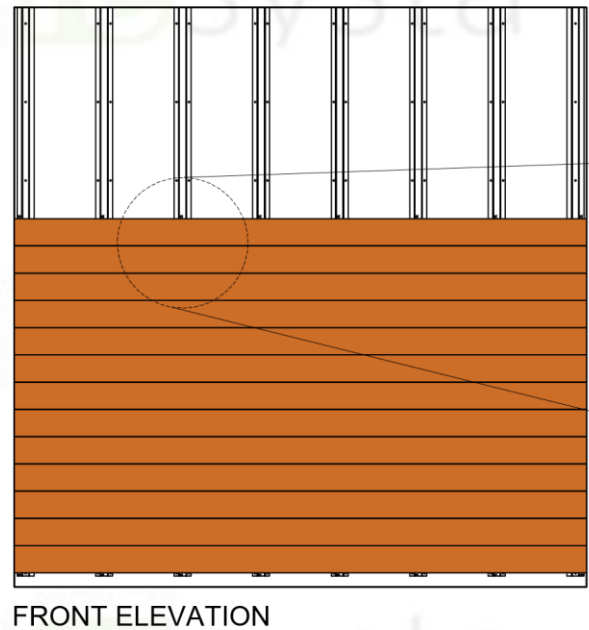
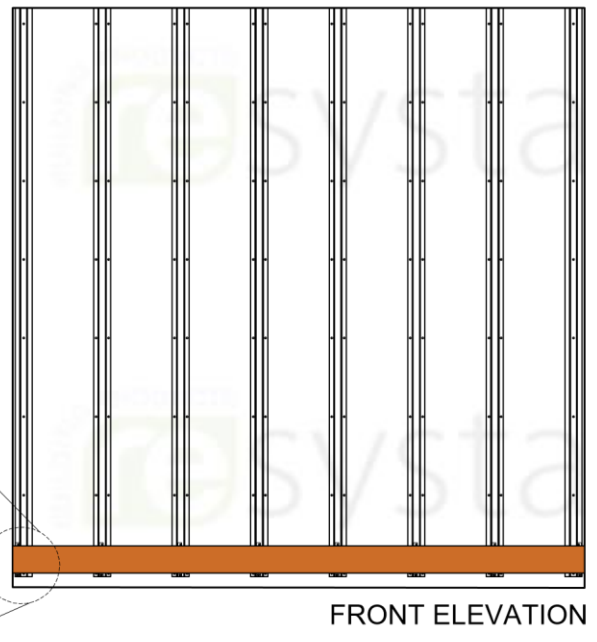
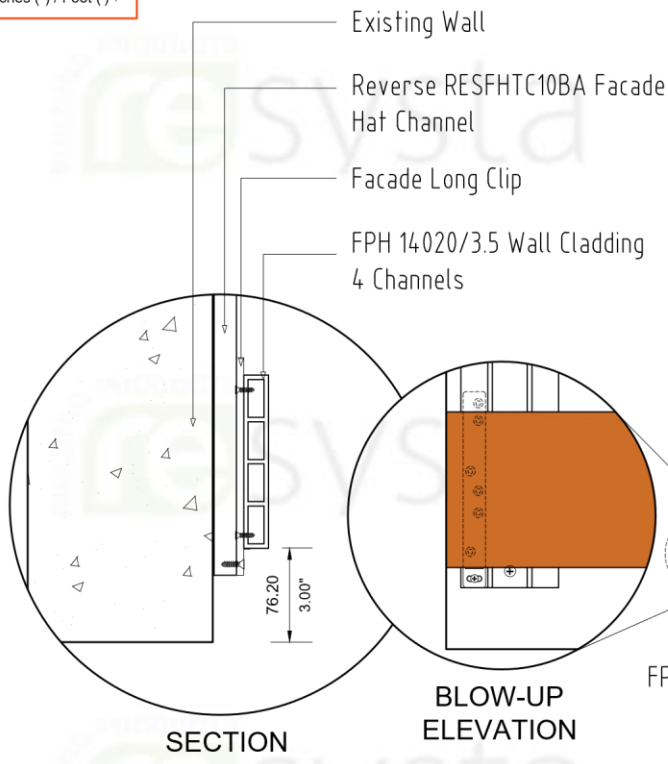


DIMENSION LEGEND
 Millimeter (mm)
 Inches (") / Foot (')



SUB-DETAIL
 BJHCD-LC-1.1
 N.T.S

Note:
 Each HF Clip requires 3 screws. Two are #8 x 12.7mm SMS screws to attach the Clip to the Resysta Wall Cladding board and one is to attach the wall cladding board with the clip to the battens.

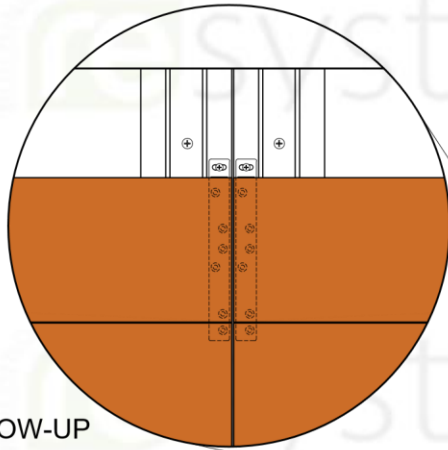


NOTE
 THIS DRAWING AS AN INSTRUMENT OF SERVICE, IS THE PROPERTY OF RESYSTA AND AS SUCH MUST NOT BE REPRODUCED OR COPIED IN PART OR IN WHOLE WITHOUT THE PERMISSION OF THE AUTHOR.

TITLE	BUTT JOINT HORIZONTAL CLADDING HF LONG CLIP SUB-DETAIL	SHEET CONTENT	CONTINENT
	SPECIFICATION	ELEVATION BLOW-UP DETAIL SECTION	RESYSTA ASIA
TYPICAL DRAWING DETAIL		DRAWING NO.	DATE
	BJHCD-LC-02	03.01.23	
	CAD BY:	CHECKED BY:	
M.T.C.	C.R.E.		

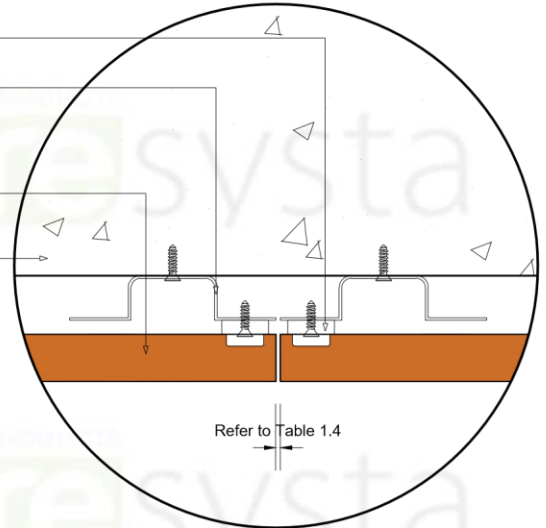
DIMENSION LEGEND

Millimeter (mm)
Inches (") / Foot (')



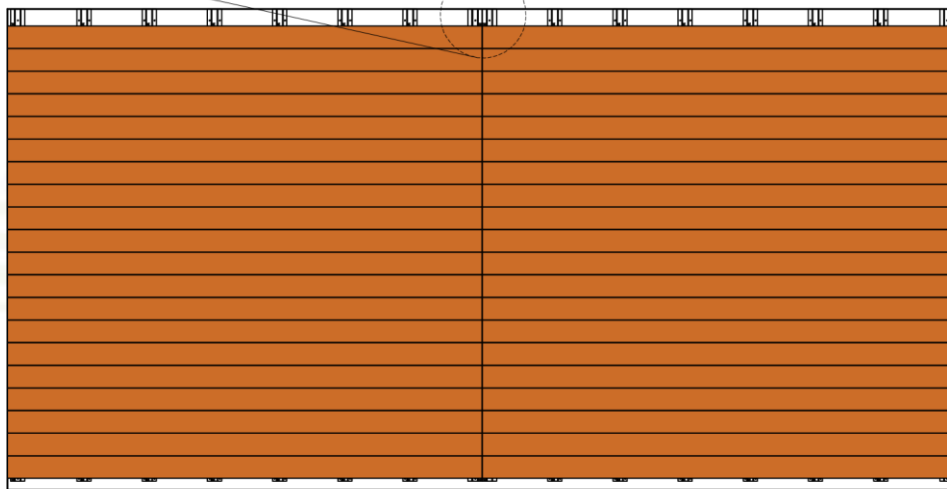
BLOW-UP ELEVATION

- Facade Long Clip
- Reverse RESFHTC10BA
- Facade Hat Channel
- FPH 14020/3.5 Wall Cladding 4 Channels
- Existing Wall



Refer to Table 1.4

TOP VIEW

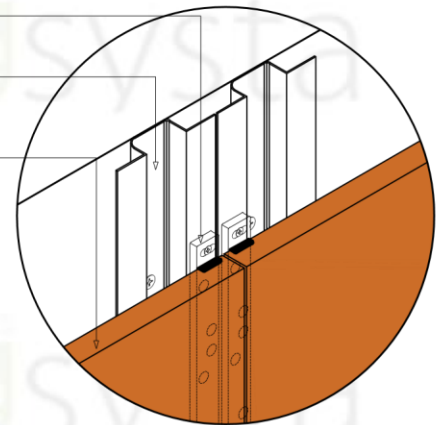


FRONT ELEVATION

SUB-DETAIL
BJHCD-LC-1.2

N.T.S

- Facade Long Clip
- Reverse RESFHTC10BA
- Facade Hat Channel
- FPH 14020/3.5 Wall Cladding 4 Channels



ISOMETRIC VIEW

Table 1.4 "Resysta Expansion"

Resysta Wall Cladding Board Gap Guide					
Temperature at Installation	Gap of Wall cladding Board				Multi Board Gap
	Below 0°C	15°C	20°C	30°C	
Amount for Wall cladding Profile - Length of 2900mm.	10mm	7mm	3mm	0mm	6mm

Note :

This is an option for installation using 3 or more boards abutted end-to-end. When connecting wall cladding boards at the ends, please consider Resysta Expansion.

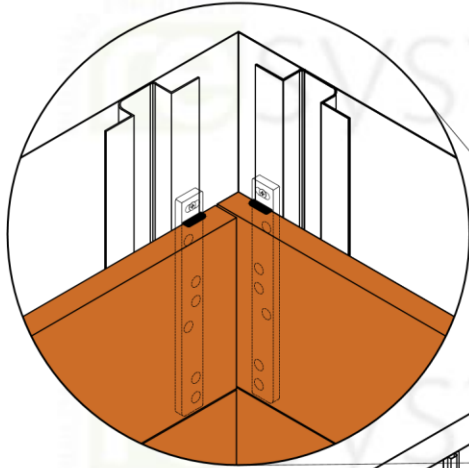


NOTE

THIS DRAWING AS AN INSTRUMENT OF SERVICE, IS THE PROPERTY OF RESYSTA AND AS SUCH MUST NOT BE REPRODUCED OR COPIED IN PART OR IN WHOLE WITHOUT THE PERMISSION OF THE AUTHOR.

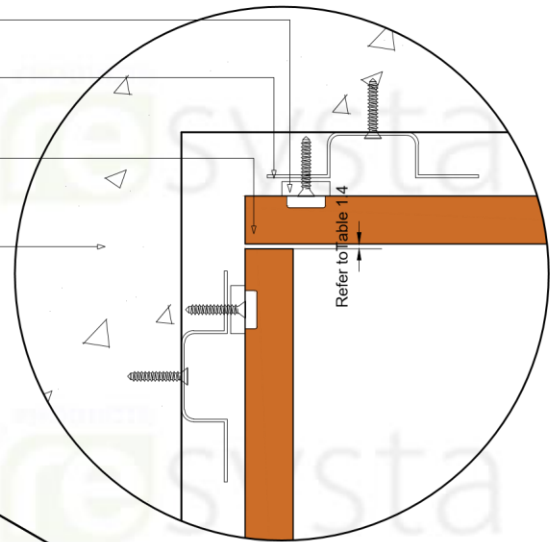
TITLE	SHEET CONTENT	CONTINENT
BUTT JOINT HORIZONTAL CLADDING HF LONG CLIP SUB-DETAIL	ELEVATION	RESYSTA ASIA
	BLOW-UP DETAIL	
TYPICAL DRAWING DETAIL	TOP VIEW	
SPECIFICATION	DRAWING NO.	DATE
	BJHCD-LC-03	03.01.23
	CAD BY:	CHECKED BY:
	M.T.C.	C.R.E.

DIMENSION LEGEND
 Millimeter (mm)
 Inches (") / Foot (')

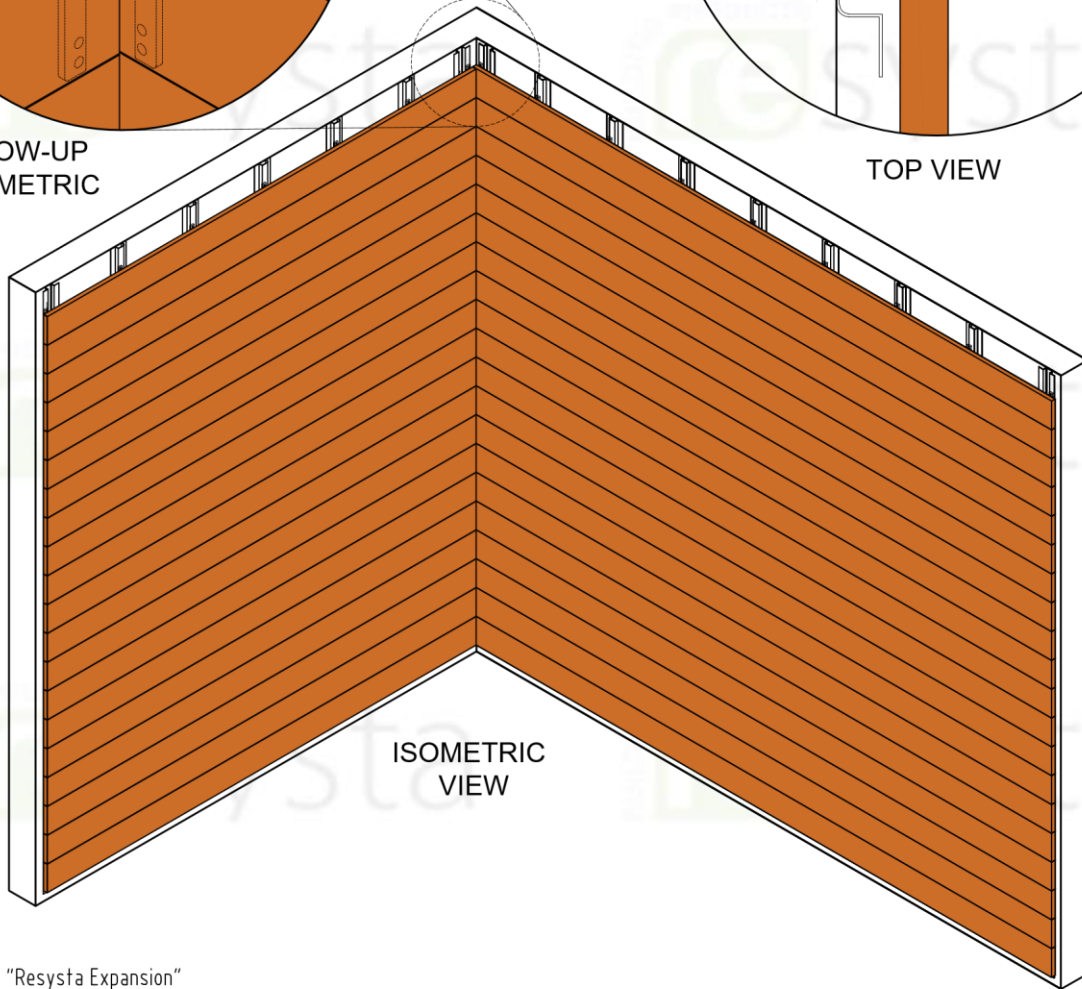


BLOW-UP ISOMETRIC

Facade Long Clip
 Reverse RESFHTC10BA
 Facade Hat Channel
 FPH 14020/3.5 Wall
 Cladding 4 Channels
 Existing Wall



TOP VIEW



ISOMETRIC VIEW

Table 1.4 "Resysta Expansion"

Resysta Wall Cladding Board Gap Guide					
Temperature at Installation	Gap of Wall cladding Board				Multi Board Gap
	Below 0°C	15°C	20°C	30°C	
Amount for Wall cladding Profile - Length of 2900mm.	10mm	7mm	3mm	0mm	6mm

SUB-DETAIL
 BJHCD-LC-1.3

N.T.S

Note :
 When connecting wall cladding boards at the ends, please consider Resysta Expansion.



NOTE

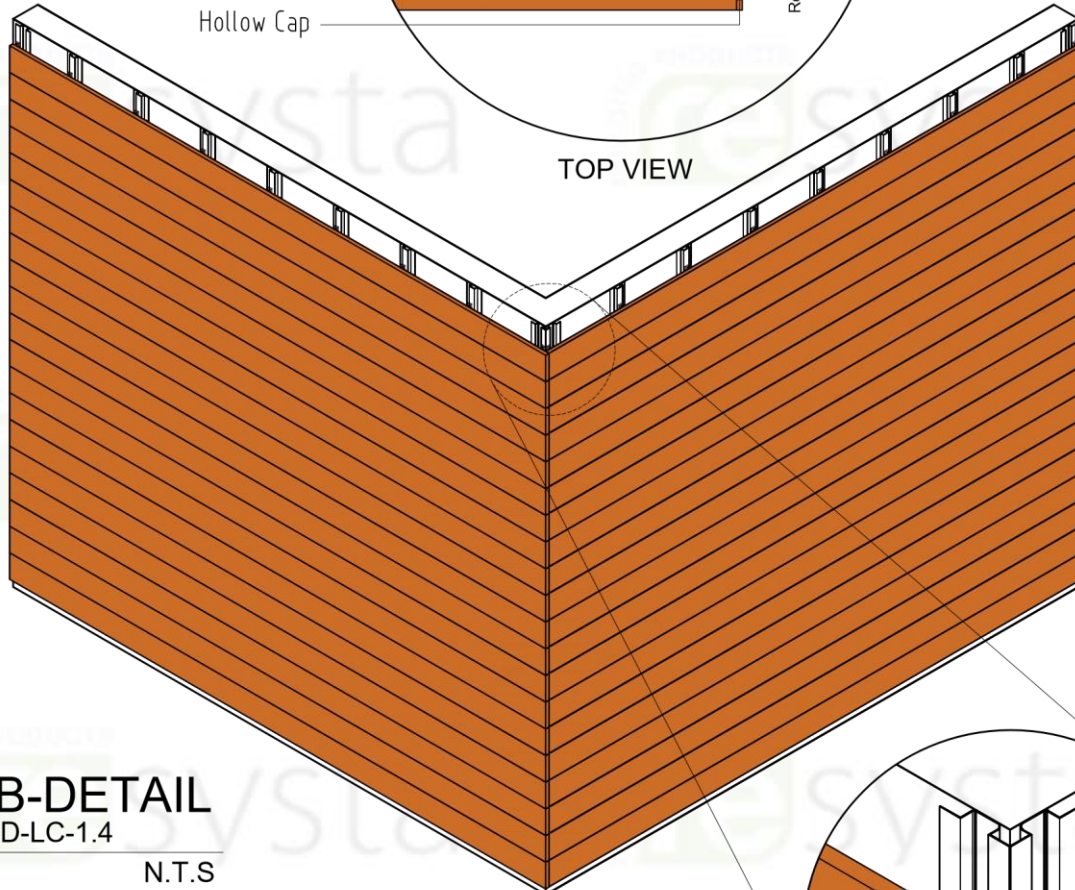
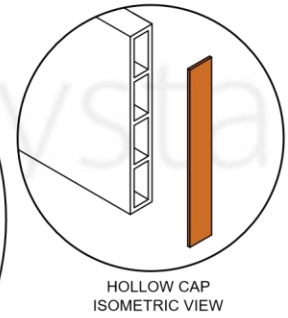
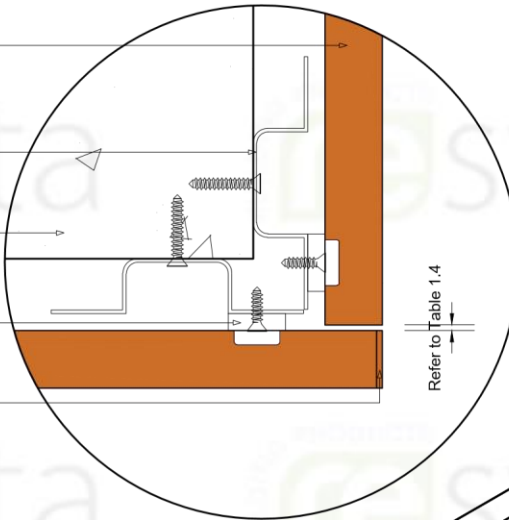
THIS DRAWING AS AN INSTRUMENT OF SERVICE, IS THE PROPERTY OF RESYSTA AND AS SUCH MUST NOT BE REPRODUCED OR COPIED IN PART OR IN WHOLE WITHOUT THE PERMISSION OF THE AUTHOR.

TITLE	SHEET CONTENT	CONTINENT
BUTT JOINT HORIZONTAL CLADDING HF LONG CLIP SUB-DETAIL	ISOMETRIC VIEW	RESYSTA ASIA
	BLOW-UP DETAIL	
	TOP VIEW	
SPECIFICATION	DRAWING NO.	DATE
TYPICAL DRAWING DETAIL	BJHCD-LC-04	03.01.23
	CAD BY:	CHECKED BY:
	M.T.C.	C.R.E.

DIMENSION LEGEND

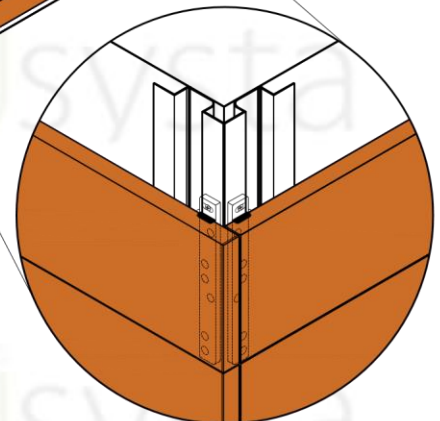
Millimeter (mm)
Inches (") / Foot (')

FPH 14020/3.5 Wall Cladding 4 Channels
Reverse RESFHTC10BA Facade Hat Channel
Existing Wall
Facade Long Clip
Hollow Cap



SUB-DETAIL
BJHCD-LC-1.4
N.T.S

ISOMETRIC VIEW



BLOW-UP ISOMETRIC

Table 1.4 "Resysta Expansion"

Resysta Wall Cladding Board Gap Guide					
Temperature at Installation	Gap of Wall cladding Board				Multi Board Gap
	Below 0°C	15°C	20°C	30°C	
Amount for Wall cladding Profile - Length of 2900mm.	10mm	7mm	3mm	0mm	6mm

Note :

Remove adhesive strip cover film. Center Hollow Cap on the end of the plank and apply with firm pressure all around the center supports.



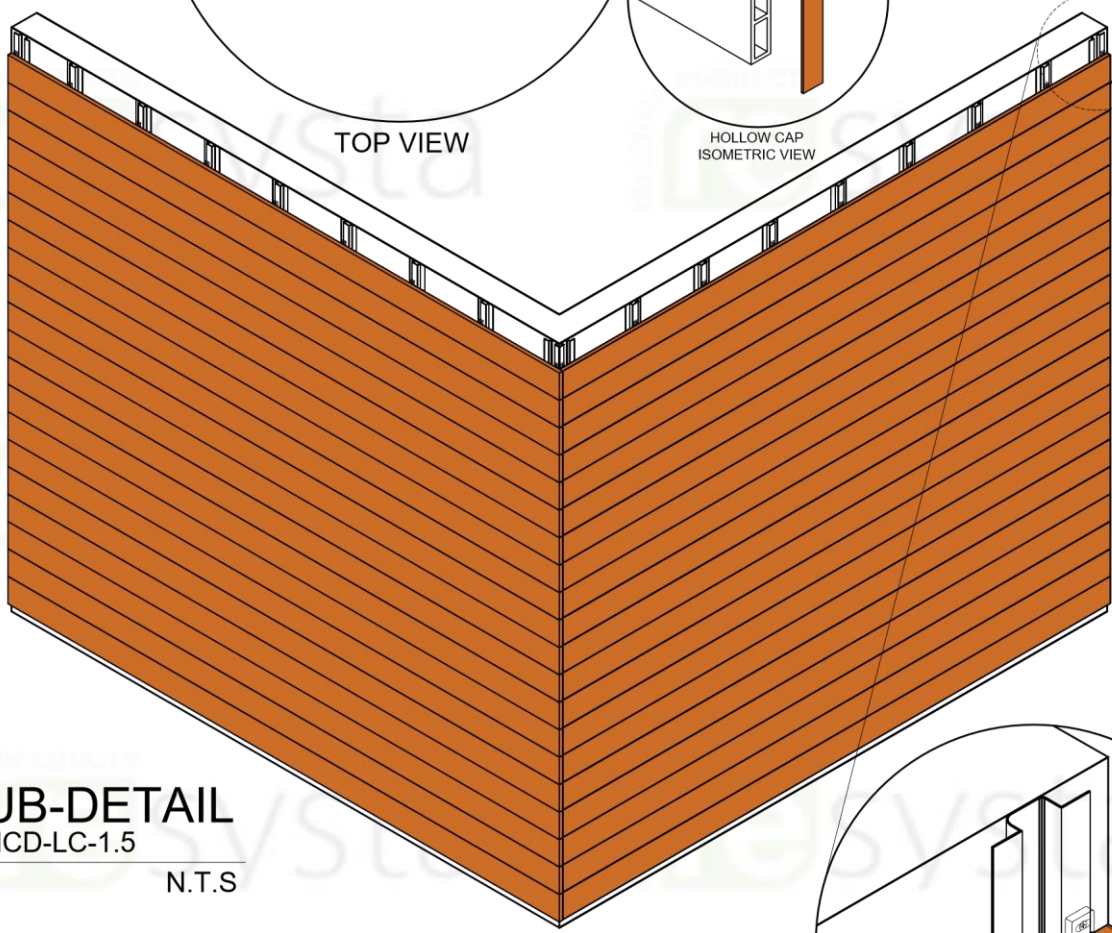
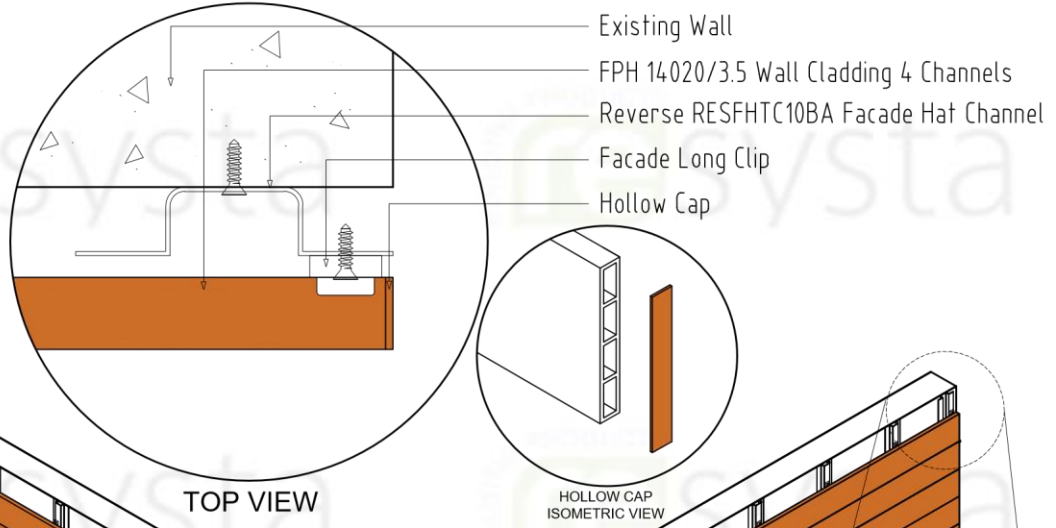
NOTE

THIS DRAWING AS AN INSTRUMENT OF SERVICE, IS THE PROPERTY OF RESYSTA AND AS SUCH MUST NOT BE REPRODUCED OR COPIED IN PART OR IN WHOLE WITHOUT THE PERMISSION OF THE AUTHOR.

TITLE	SHEET CONTENT	CONTINENT
BUTT JOINT HORIZONTAL CLADDING HF LONG CLIP SUB-DETAIL	ISOMETRIC VIEW	RESYSTA ASIA
	BLOW-UP DETAIL	
SPECIFICATION	TOP VIEW	DATE
	TYPICAL DRAWING DETAIL	DRAWING NO.
		BJHCD-LC-05
	CAD BY:	CHECKED BY:
	M.T.C.	C.R.E.

DIMENSION LEGEND

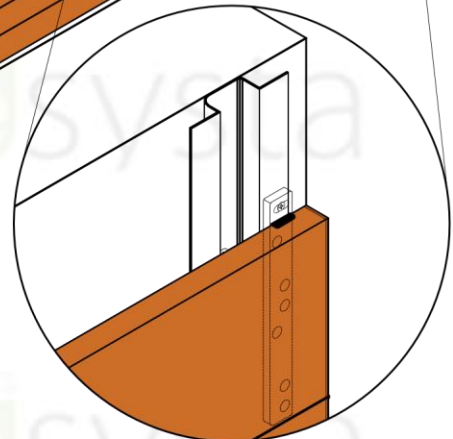
Millimeter (mm)
Inches (") / Foot (')



TOP VIEW

HOLLOW CAP ISOMETRIC VIEW

ISOMETRIC VIEW



BLOW-UP ISOMETRIC

SUB-DETAIL
BJHCD-LC-1.5

N.T.S

Table 1.4 "Resysta Expansion"

Resysta Wall Cladding Board Gap Guide					
Temperature at Installation	Gap of Wall cladding Board				Multi Board Gap
	Below 0°C	15°C	20°C	30°C	
Amount for Wall cladding Profile - Length of 2900mm.	10mm	7mm	3mm	0mm	6mm

Note :

Be sure that all surfaces are clean and free of debris such as dust, dirt, oils and paints. Remove adhesive strip cover film. Center Hollow Cap on the end of the plank and apply with firm pressure all around the center supports.



NOTE

THIS DRAWING AS AN INSTRUMENT OF SERVICE, IS THE PROPERTY OF RESYSTA AND AS SUCH MUST NOT BE REPRODUCED OR COPIED IN PART OR IN WHOLE WITHOUT THE PERMISSION OF THE AUTHOR.

TITLE	SHEET CONTENT	CONTINENT
BUTT JOINT HORIZONTAL CLADDING HF LONG CLIP SUB-DETAIL	ISOMETRIC VIEW	RESYSTA ASIA
	BLOW-UP DETAIL	
	TOP VIEW	
SPECIFICATION	DRAWING NO.	DATE
TYPICAL DRAWING DETAIL	BJHCD-LC-06	03.01.23
	CAD BY:	CHECKED BY:
	M.T.C.	C.R.E