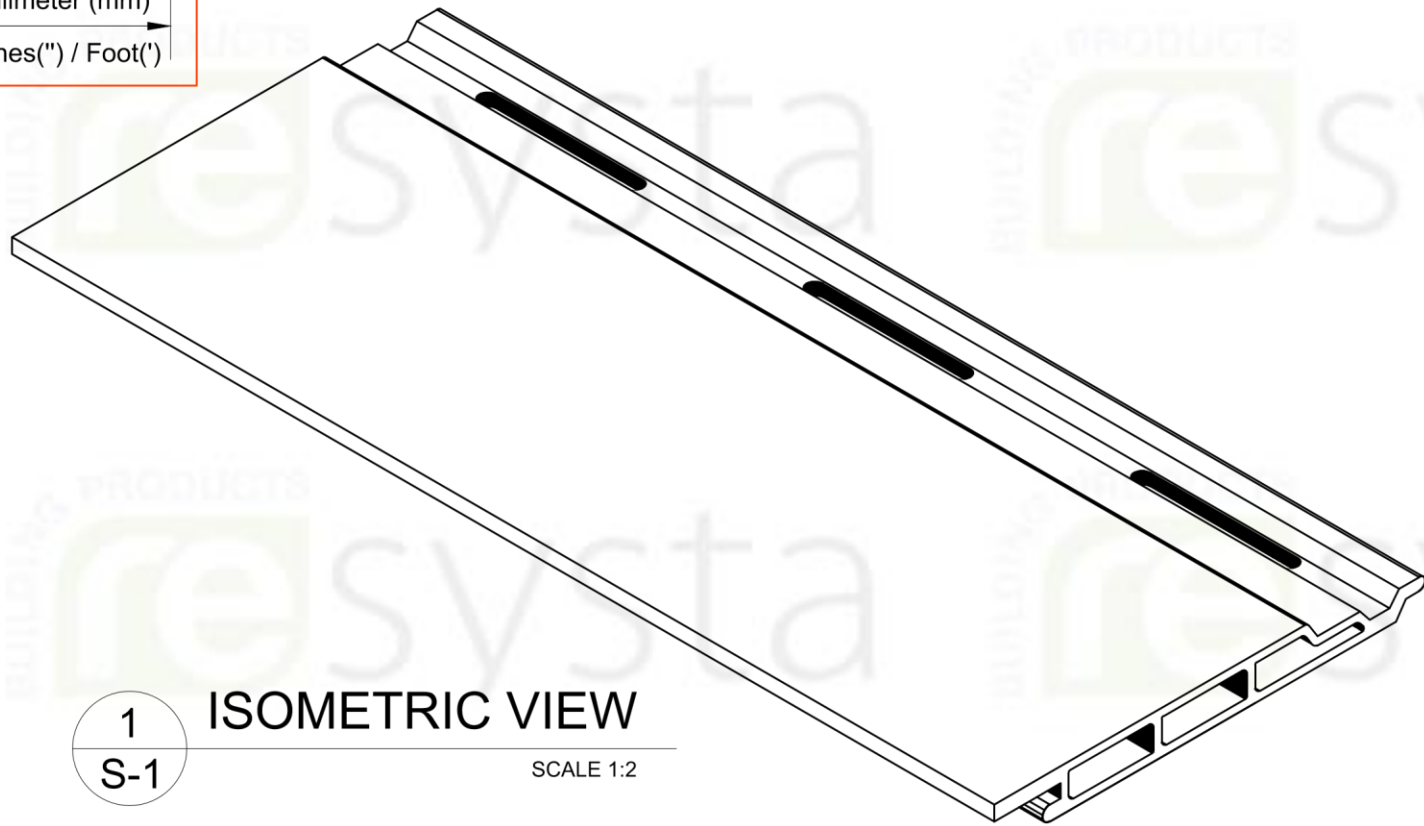
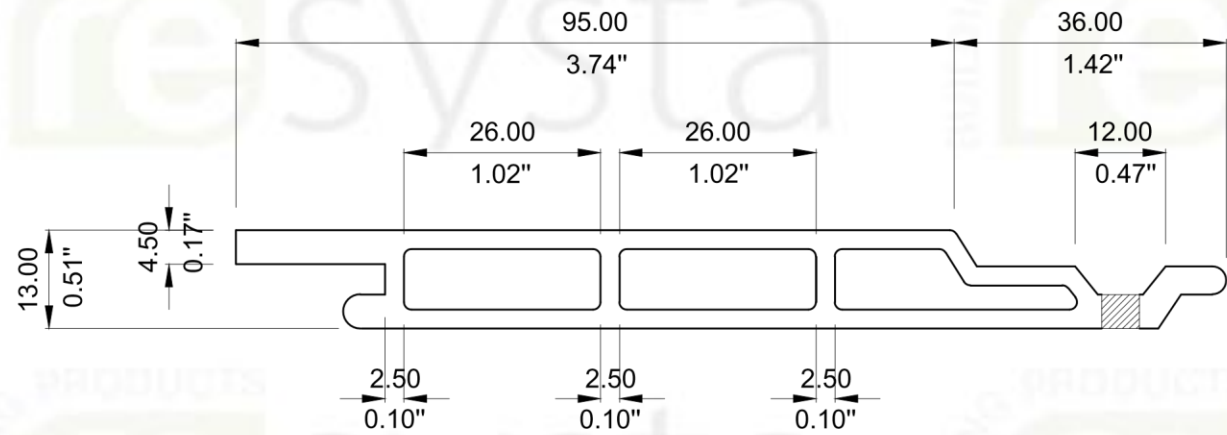


**DIMENSION LEGEND**

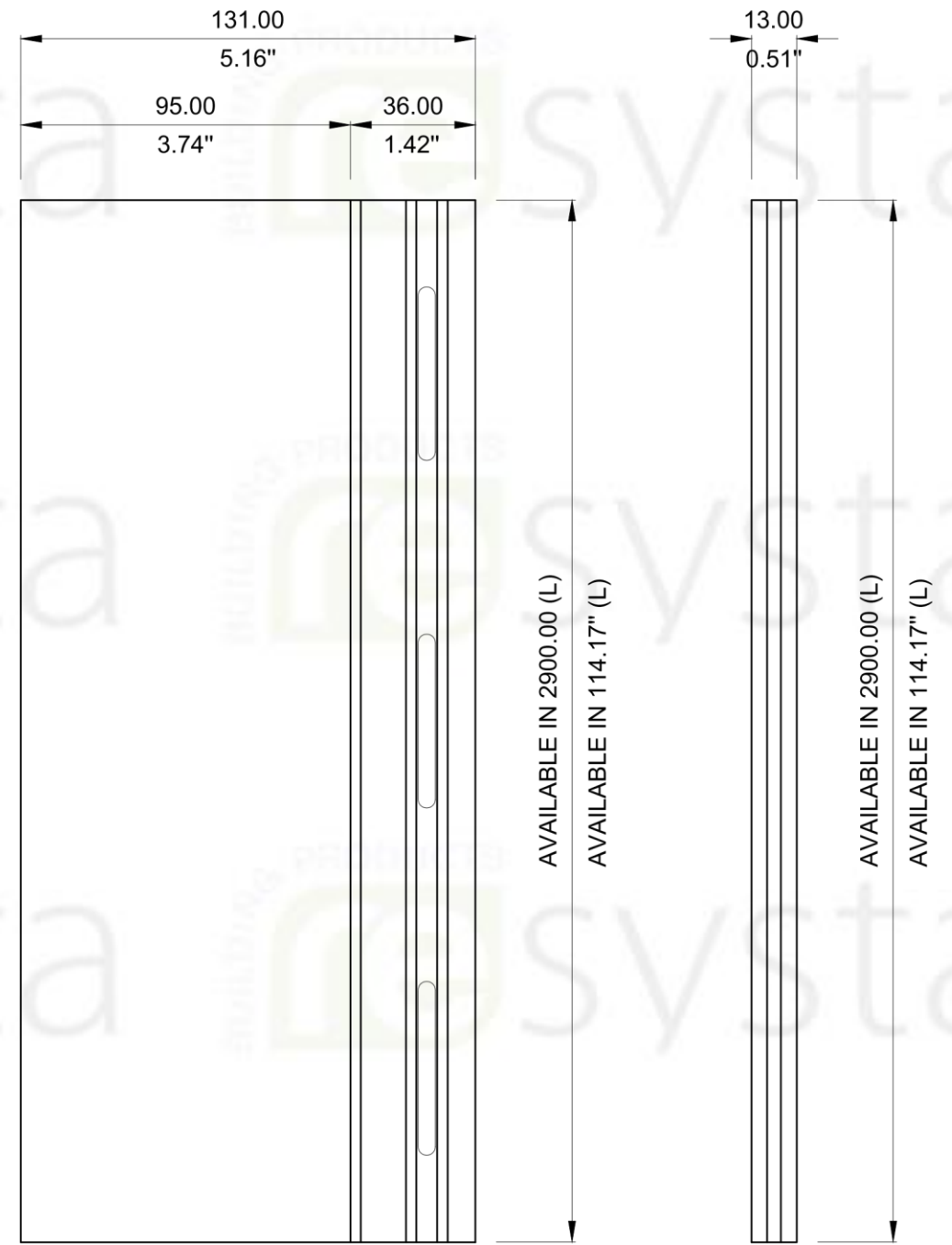
Millimeter (mm)  
Inches(") / Foot(')



**1 ISOMETRIC VIEW**  
S-1 SCALE 1:2



**2 FRONT ELEVATION**  
S-1 SCALE 1:1



**3 PLAN**  
S-1 SCALE 1:2

**4 SIDE ELEV.**  
S-1 SCALE 1:2



**NOTE**

THIS DRAWING AS AN INSTRUMENT OF SERVICE, IS THE PROPERTY OF RESYSTA AND AS SUCH MUST NOT BE REPRODUCED OR COPIED IN PART OR IN WHOLE WITHOUT THE PERMISSION OF THE AUTHOR.

**SIDING HOLLOW PROFILE**  
CPH95

SPECIFICATION		SHEET CONTENT		SHEET SIZE	DRAWING NO.	CONTINENT	
TECHNICAL DRAWING SPECIFICATION		ISOMETRIC VIEW		A3	S-1	RESYSTA ASIA	
		FRONT ELEVATION					
		CAD BY:	CHECKED BY:	DATE			REVISION
		M.T.C.	C.R.E.	12.12.22	0		