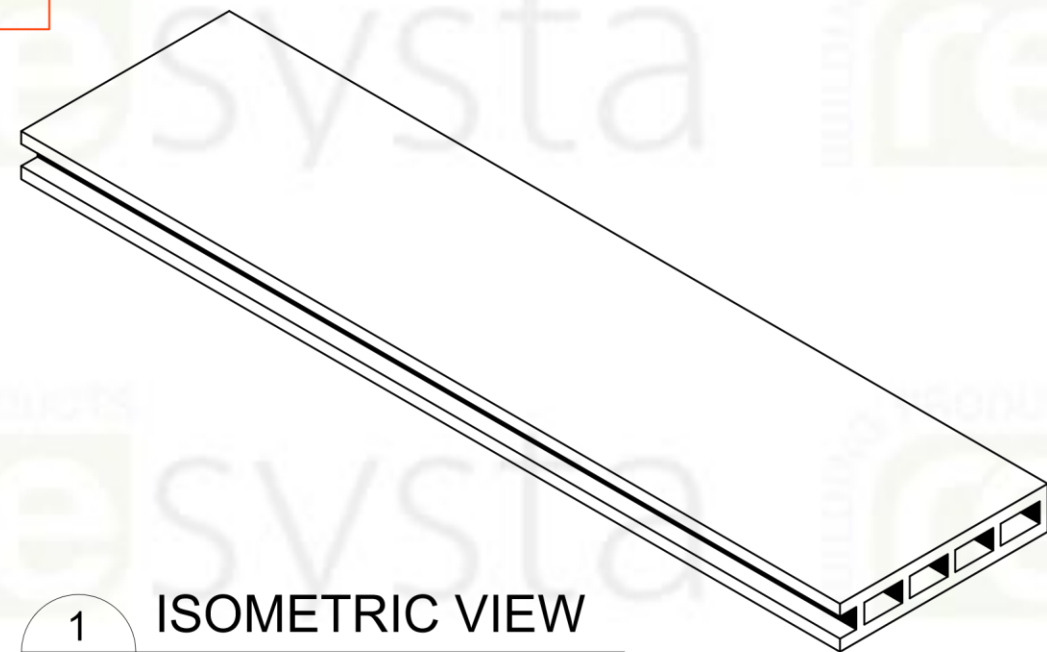


DIMENSION LEGEND

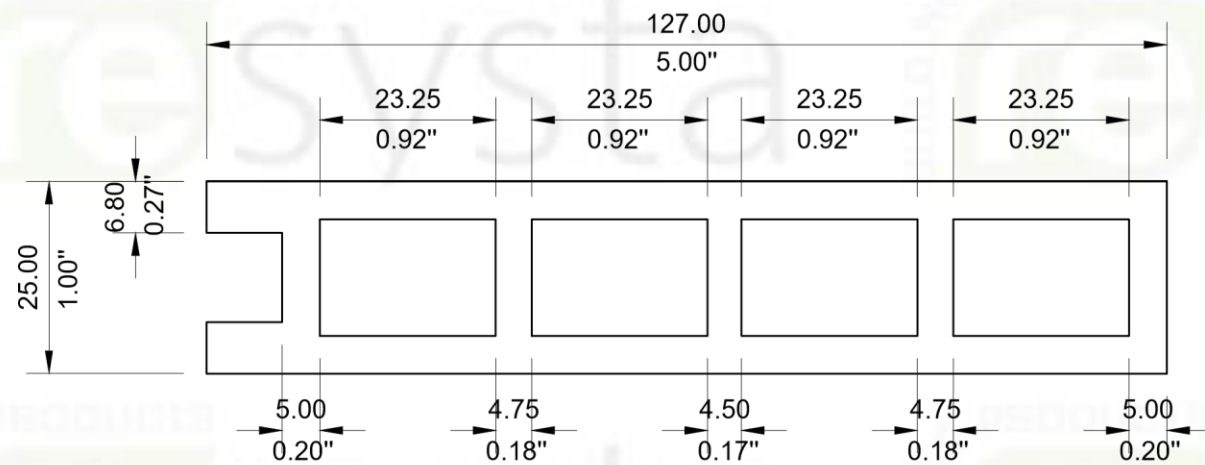
Millimeter
Inches (") / Foot (')



1
D-10

ISOMETRIC VIEW

SCALE 1:4



2
D-10

FRONT ELEVATION

SCALE 1:1



3
D-10

PLAN

SCALE 1:2

4
D-10

ELEV.

SCALE 1:2



NOTE

THIS DRAWING AS AN INSTRUMENT OF SERVICE, IS THE PROPERTY OF RESYSTA AND AS SUCH MUST NOT BE REPRODUCED OR COPIED IN PART OR IN WHOLE WITHOUT THE PERMISSION OF THE AUTHOR.

TITLE		SPECIFICATION	SHEET CONTENT	SHEET SIZE	DRAWING NO.	CONTINENT
STARTER BOARD DKG 14025 SB		TECHNICAL DRAWING SPECIFICATION	ISOMETRIC VIEW	A3	D-10	RESYSTA ASIA
			FRONT ELEVATION			
			PLAN	DATE	REVISION	
			SIDE ELEVATION	12.12.22	0	
CAD BY:	CHECKED BY:	M.T.C.	C.R.E.			