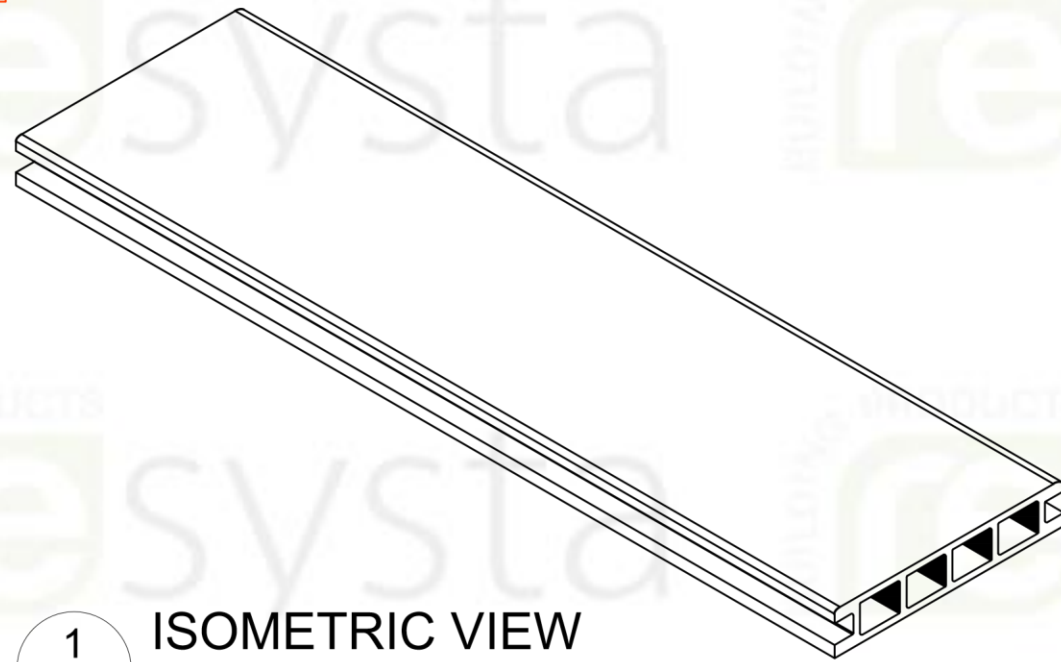


DIMENSION LEGEND

Millimeter (mm)
Inches(") / Foot(')

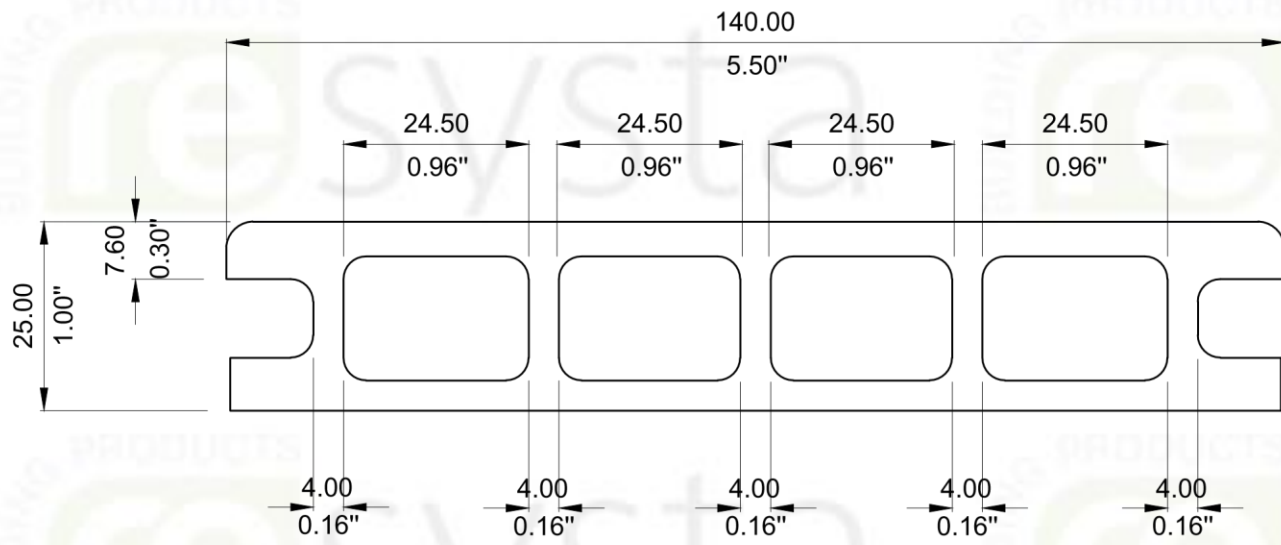


1 ISOMETRIC VIEW
D-1 SCALE 1:4



3 PLAN
D-1 SCALE 1:2

4 SIDE ELEV.
D-1 SCALE 1:2



2 FRONT ELEVATION
D-1 SCALE 1:1



NOTE

THIS DRAWING AS AN INSTRUMENT OF SERVICE, IS THE PROPERTY OF RESYSTA AND AS SUCH MUST NOT BE REPRODUCED OR COPIED IN PART OR IN WHOLE WITHOUT THE PERMISSION OF THE AUTHOR.

DECKING HOLLOW PROFILE
DKG 14025 BE

SPECIFICATION		SHEET CONTENT		SHEET SIZE	DRAWING NO.	CONTINENT
TECHNICAL DRAWING SPECIFICATION		ISOMETRIC VIEW		A3	D-1	RESYSTA ASIA
		FRONT ELEVATION				
CAD BY:	CHECKED BY:	PLAN		DATE	REVISION	
M.T.C.	C.R.E.	SIDE ELEVATION		12.12.22	0	