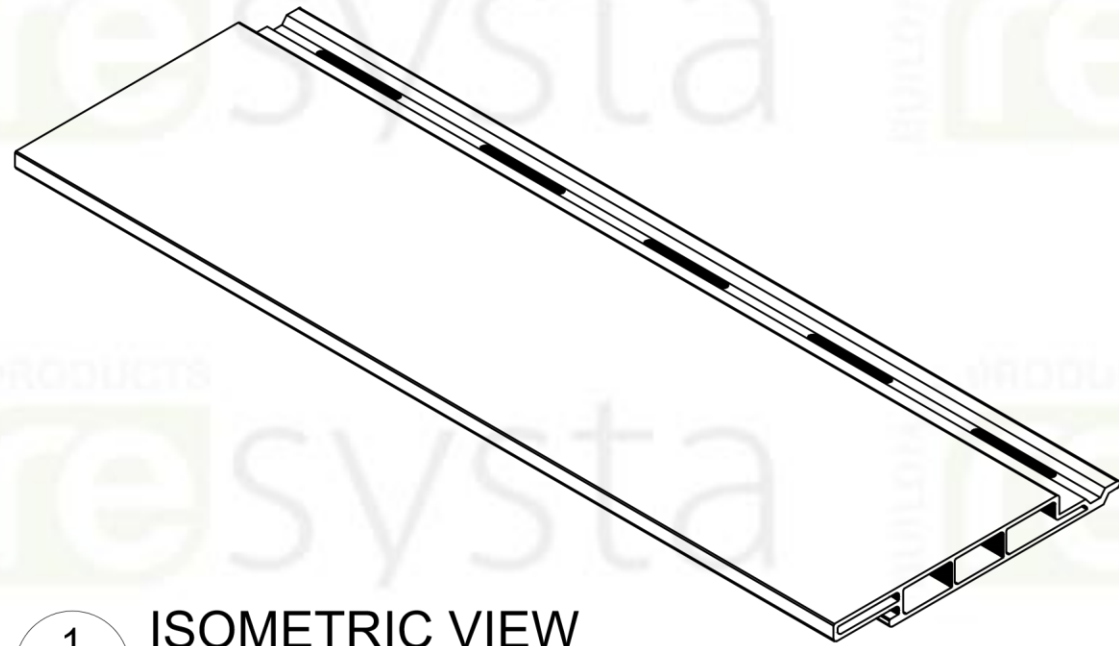
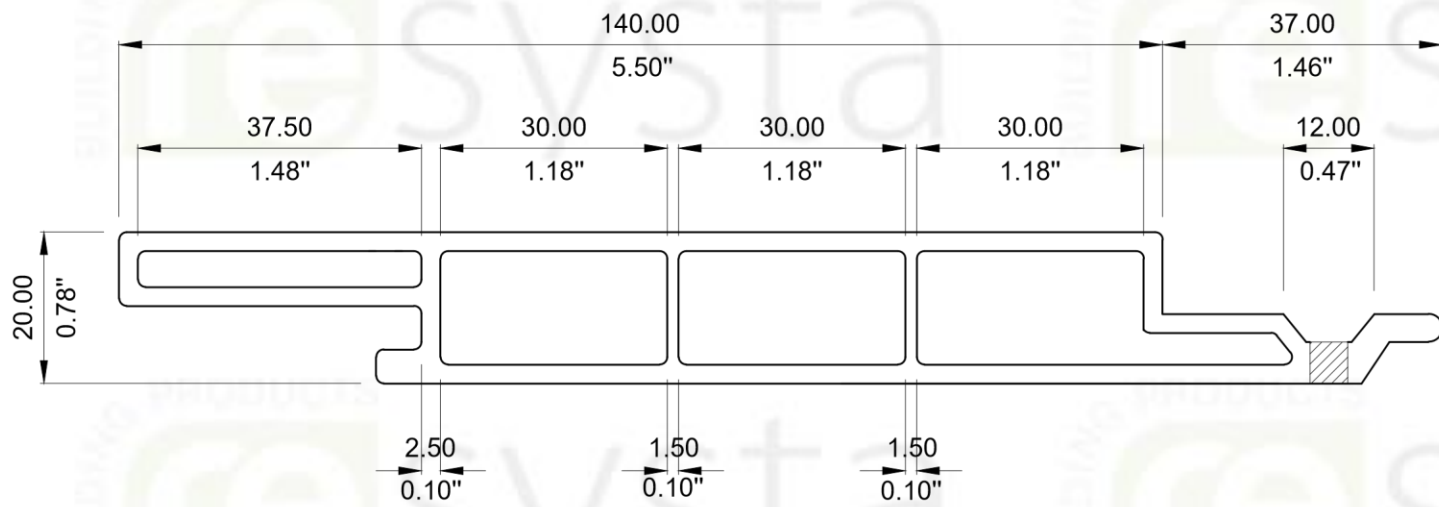


**DIMENSION LEGEND**

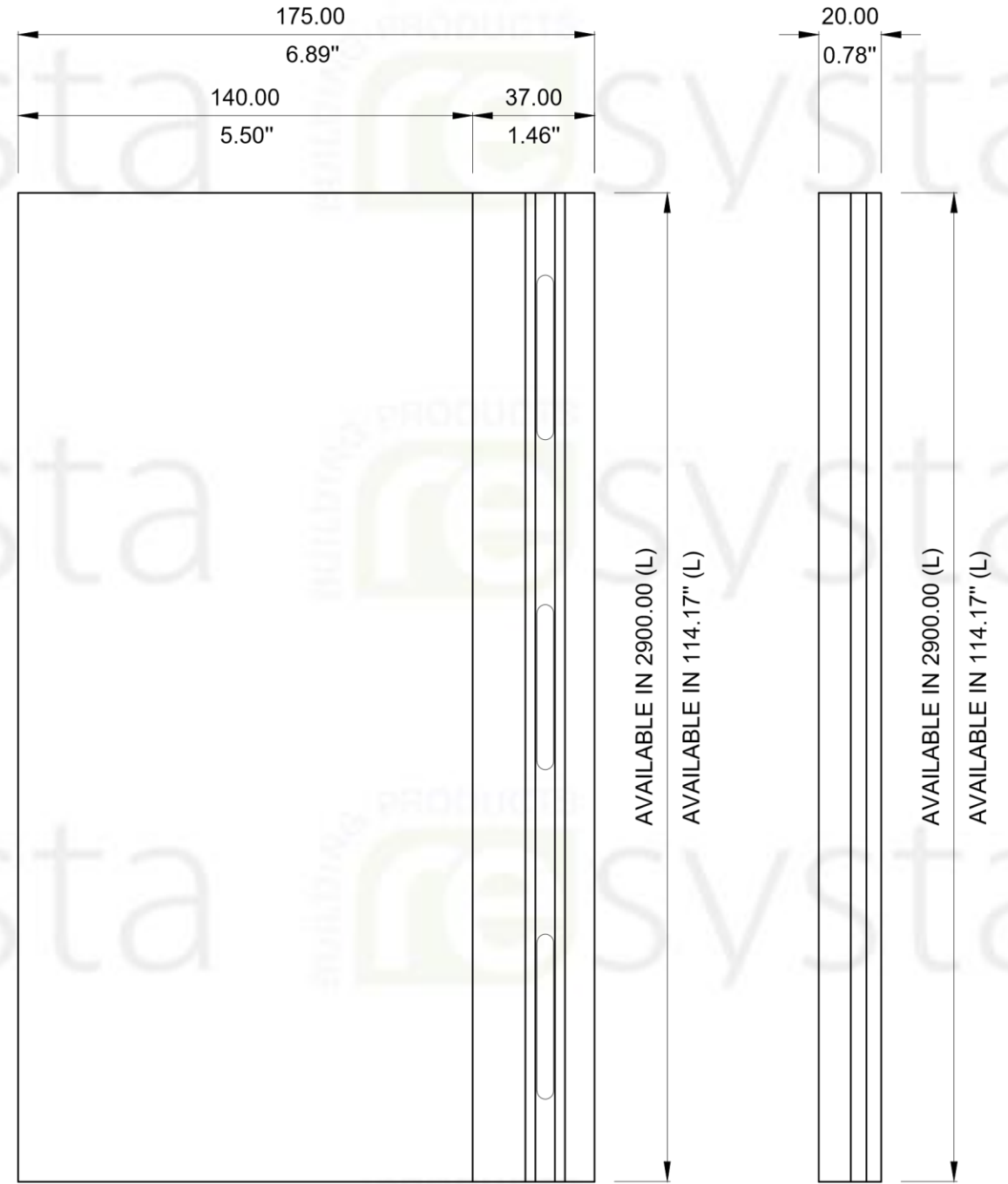
Millimeter (mm)  
Inches(") / Foot(')



**1 ISOMETRIC VIEW**  
S-5 SCALE 1:4



**2 FRONT ELEVATION**  
S-5 SCALE 1:1



**3 PLAN**  
S-5 SCALE 1:2

**4 SIDE ELEV.**  
S-5 SCALE 1:2



**NOTE**

THIS DRAWING AS AN INSTRUMENT OF SERVICE, IS THE PROPERTY OF RESYSTA AND AS SUCH MUST NOT BE REPRODUCED OR COPIED IN PART OR IN WHOLE WITHOUT THE PERMISSION OF THE AUTHOR.

TITLE  
**DECO HOLLOW PROFILE**  
DPH14020

SPECIFICATION  
**TECHNICAL DRAWING SPECIFICATION**

CAD BY: M.T.C. CHECKED BY: C.RE

SHEET CONTENT  
ISOMETRIC VIEW  
FRONT ELEVATION  
PLAN  
SIDE ELEVATION

SHEET SIZE: A3  
DATE: 12.12.22

DRAWING NO.: S-5  
REVISION: 0

CONTINENT: RESYSTA ASIA