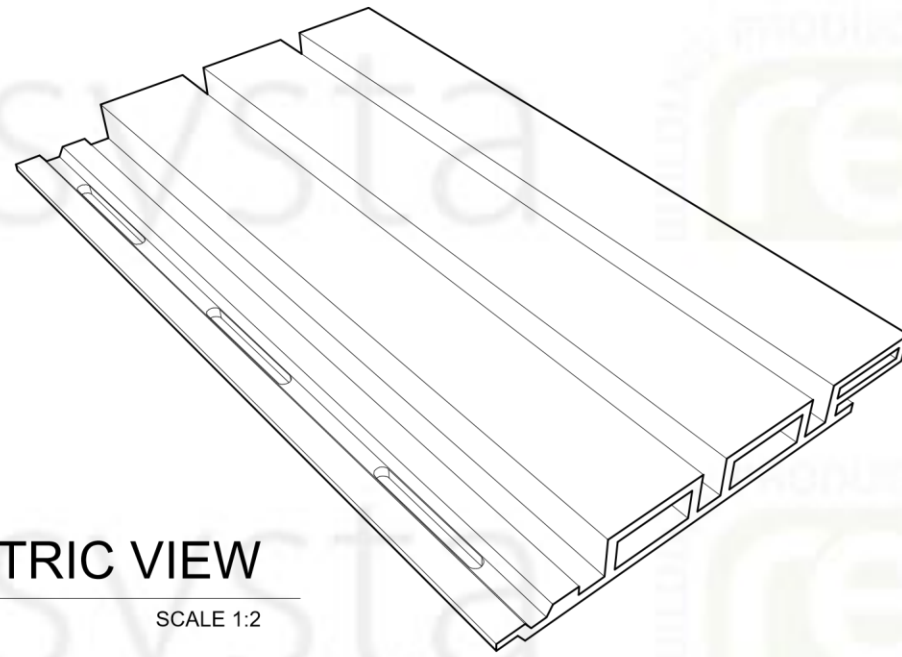
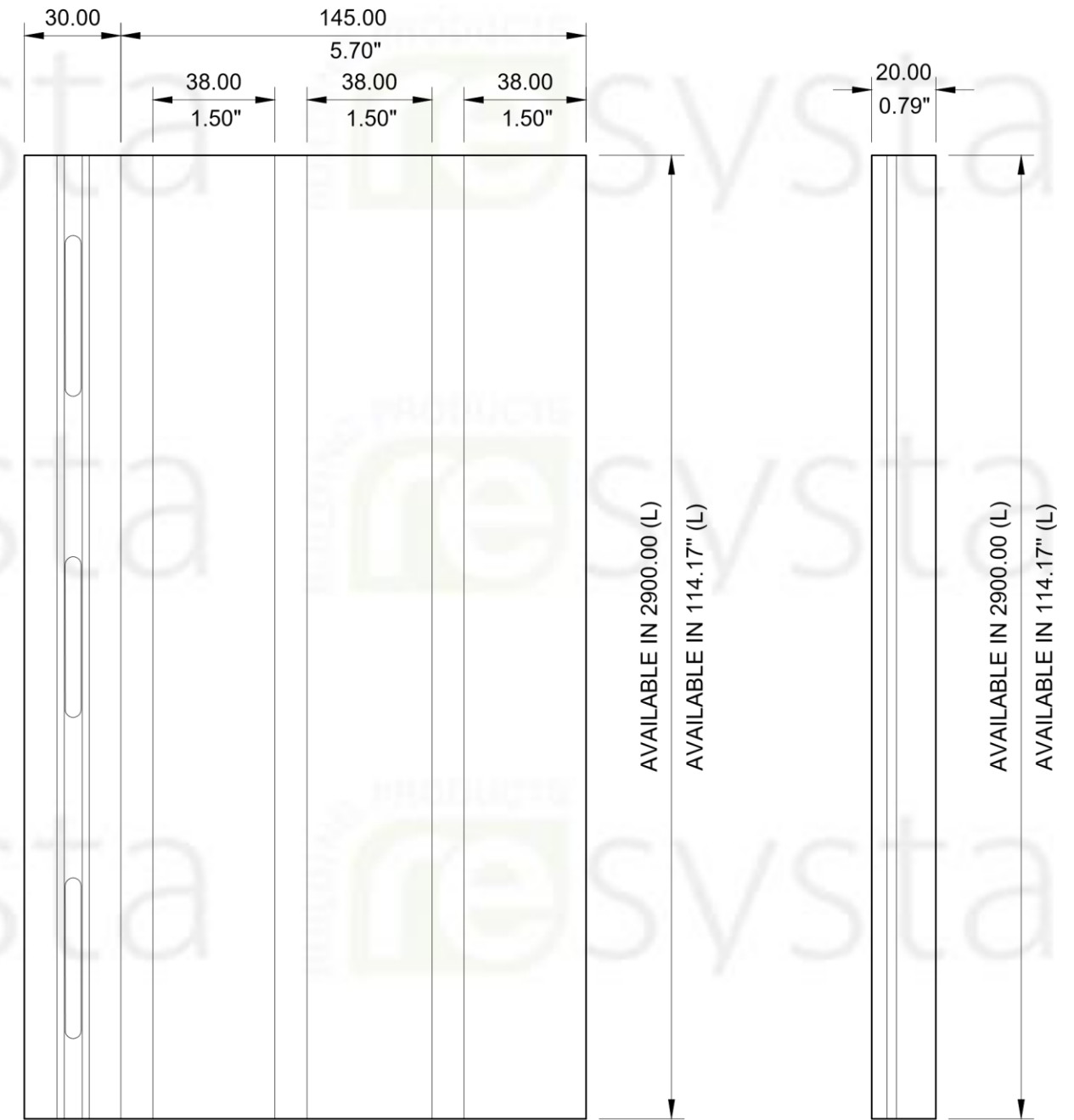


DIMENSION LEGEND

Millimeter (mm)
Inches(") / Foot(')

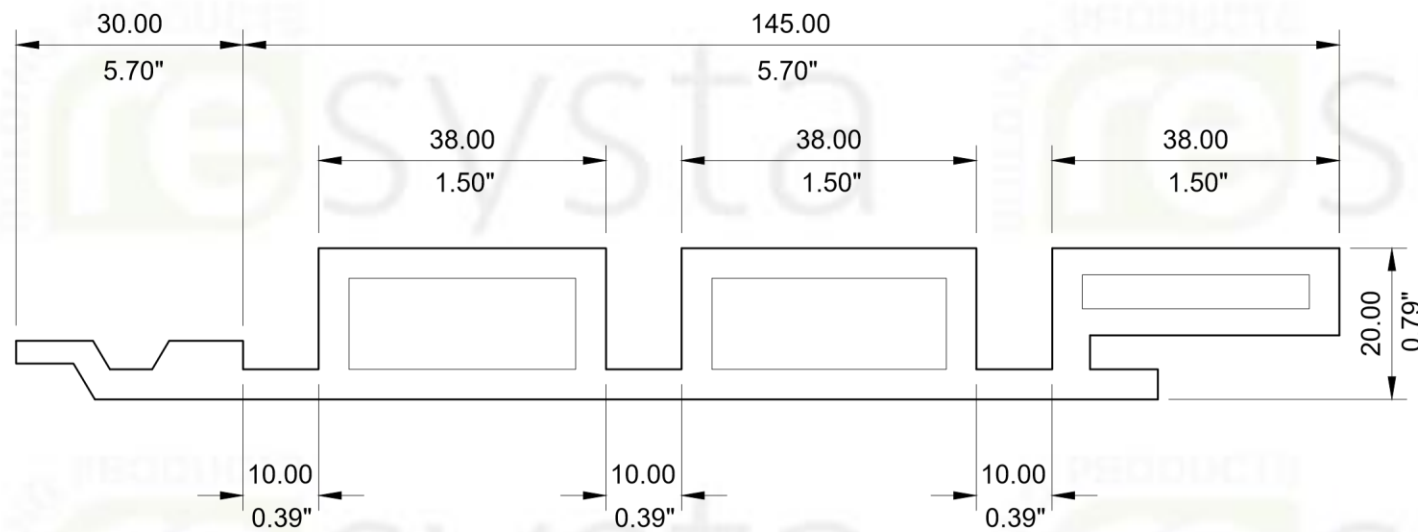


1 ISOMETRIC VIEW
LP-1 SCALE 1:2



3 PLAN
LP-1 SCALE 1:2

4 SIDE ELEV.
LP-1 SCALE 1:2



2 FRONT ELEVATION
LP-1 SCALE 1:1



NOTE

THIS DRAWING AS AN INSTRUMENT OF SERVICE, IS THE PROPERTY OF RESYSTA AND AS SUCH MUST NOT BE REPRODUCED OR COPIED IN PART OR IN WHOLE WITHOUT THE PERMISSION OF THE AUTHOR.

TITLE		SPECIFICATION	SHEET CONTENT	SHEET SIZE	DRAWING NO.	CONTINENT
LUSSO PROFILE DPHBB 38/145		TECHNICAL DRAWING SPECIFICATION	ISOMETRIC VIEW	A3	LP-1	RESYSTA ASIA
			FRONT ELEVATION			
CAD BY: M.T.C.		CHECKED BY: C.RE	PLAN	DATE: 12.12.22	REVISION: 0	
			SIDE ELEVATION			