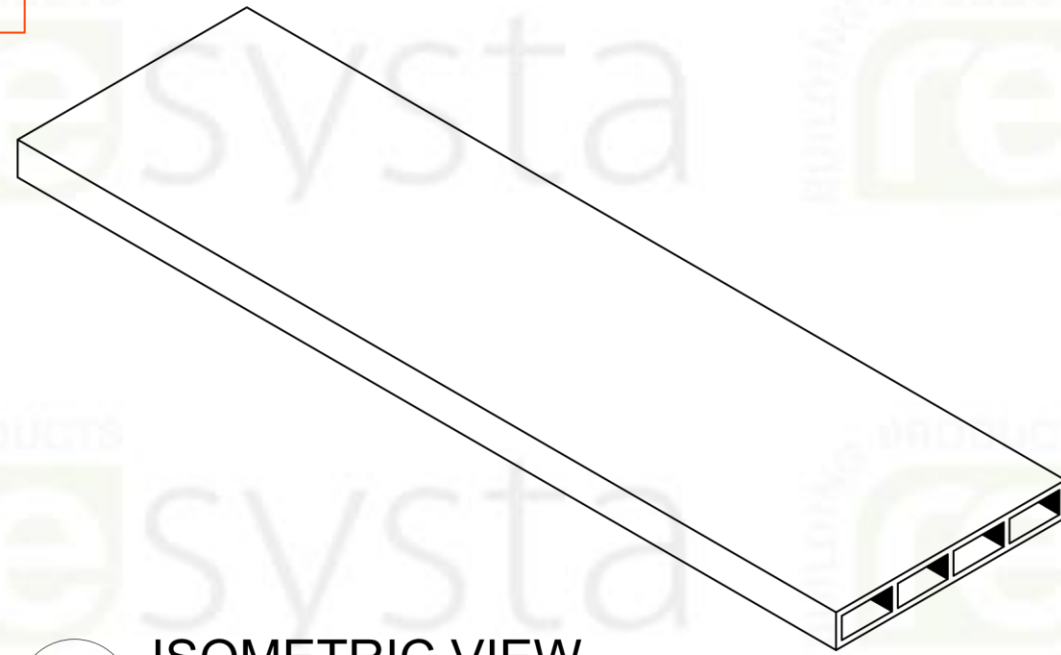


DIMENSION LEGEND

Millimeter (mm)
Inches(") / Foot(')

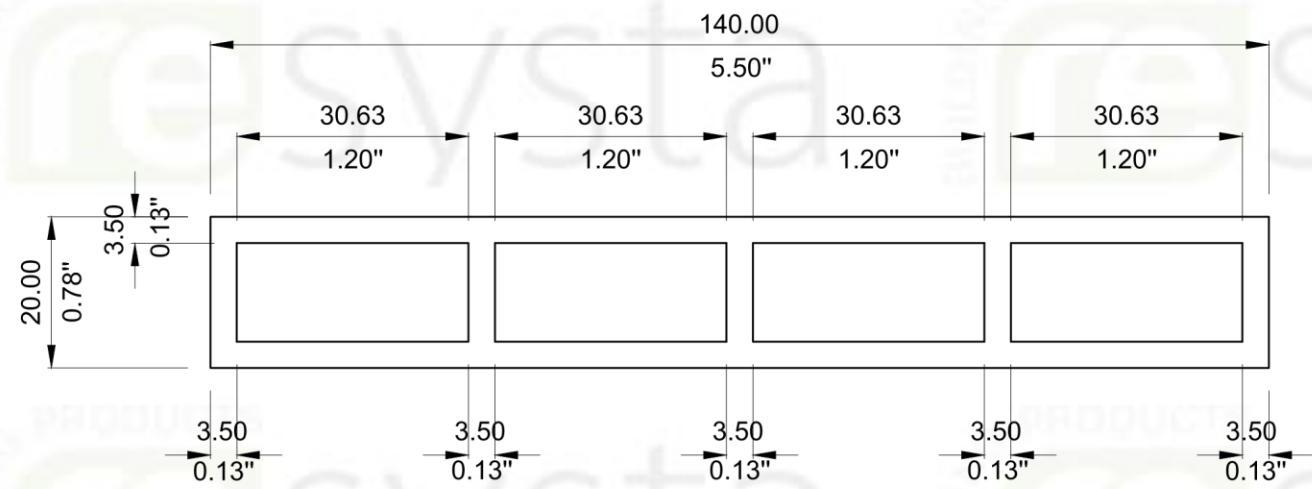


1 ISOMETRIC VIEW
C-8 SCALE 1:4



3 PLAN
C-8 SCALE 1:2

4 SIDE ELEV.
C-8 SCALE 1:2



2 FRONT ELEVATION
C-8 SCALE 1:1



NOTE
THIS DRAWING AS AN INSTRUMENT OF SERVICE, IS THE PROPERTY OF RESYSTA AND AS SUCH MUST NOT BE REPRODUCED OR COPIED IN PART OR IN WHOLE WITHOUT THE PERMISSION OF THE AUTHOR.

TITLE
CLADDING HOLLOW PROFILE
FPH14020/3.5

SPECIFICATION	
TECHNICAL DRAWING SPECIFICATION	
CAD BY:	CHECKED BY:
M.T.C.	C.R.E

SHEET CONTENT	
ISOMETRIC VIEW	
FRONT ELEVATION	
PLAN	
SIDE ELEVATION	

SHEET SIZE	DRAWING NO.	CONTINENT
A3	C-8	RESYSTA ASIA
DATE	REVISION	
12.12.22	0	