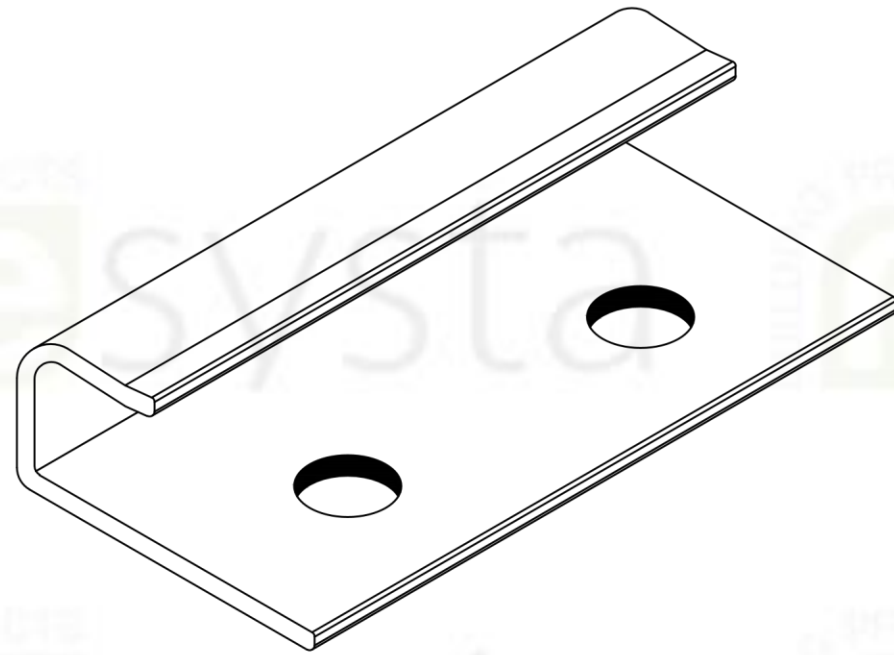
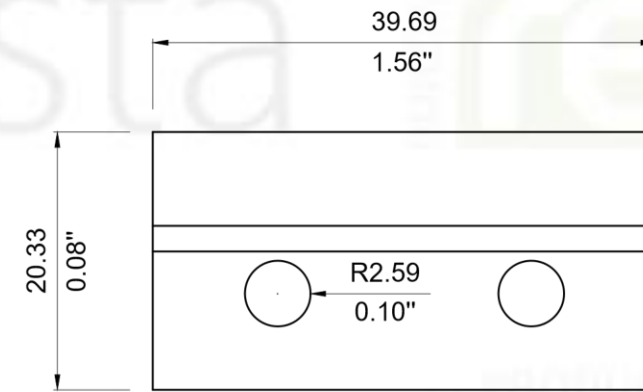


**DIMENSION LEGEND**

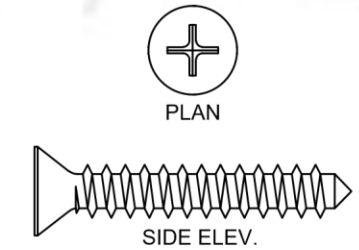
Millimeter (mm)  
Inches(") / Foot(')



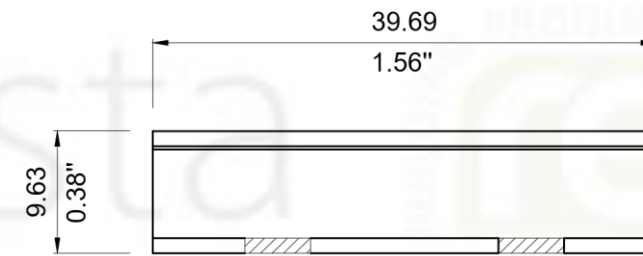
1 ISOMETRIC VIEW  
TS-1 N.T.S



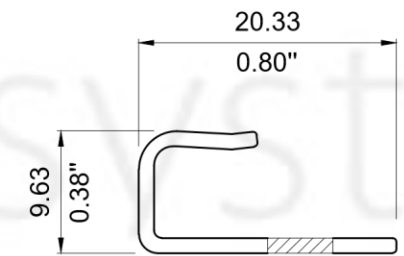
2 PLAN  
TS-2 N.T.S



1 SCREW  
S-1 N.T.S



3 FRONT ELEVATION  
TS-3 N.T.S



4 SIDE ELEVATION  
TS-4 N.T.S



**NOTE**

THIS DRAWING AS AN INSTRUMENT OF SERVICE, IS THE PROPERTY OF RESYSTA AND AS SUCH MUST NOT BE REPRODUCED OR COPIED IN PART OR IN WHOLE WITHOUT THE PERMISSION OF THE AUTHOR.

TITLE  
START/END CLIP WITH SCREW  
REF T4S CLIP

SPECIFICATION  
TECHNICAL DRAWING SPECIFICATION  
CAD BY: M.T.C. CHECKED BY: C.R.E.

SHEET CONTENT  
ISOMETRIC VIEW  
FRONT ELEVATION  
PLAN  
SIDE ELEVATION

SHEET SIZE: A3  
DRAWING NO.: TS  
DATE: 12.12.22  
REVISION: 0

CONTINENT  
RESYSTA ASIA